

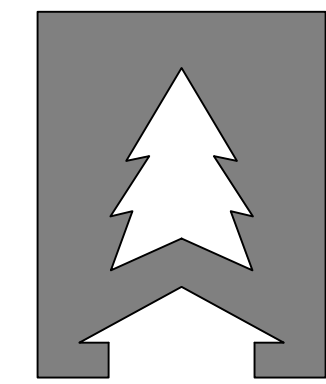
Plan Name	Rock Creek S
Date	6/25/2020
Location	Regan Hills #3 Lot 26 Estacada, OR

Total Sq Ft = 1,650

Elevations

Scale: 1/4" = 1'

This plan is property of:



CEDARRIDGE
H O M E S

© 2020 Cedar Ridge Homes

(P) 503-666-4240
(F) 503-666-2408
www.cedarridgehomes.us

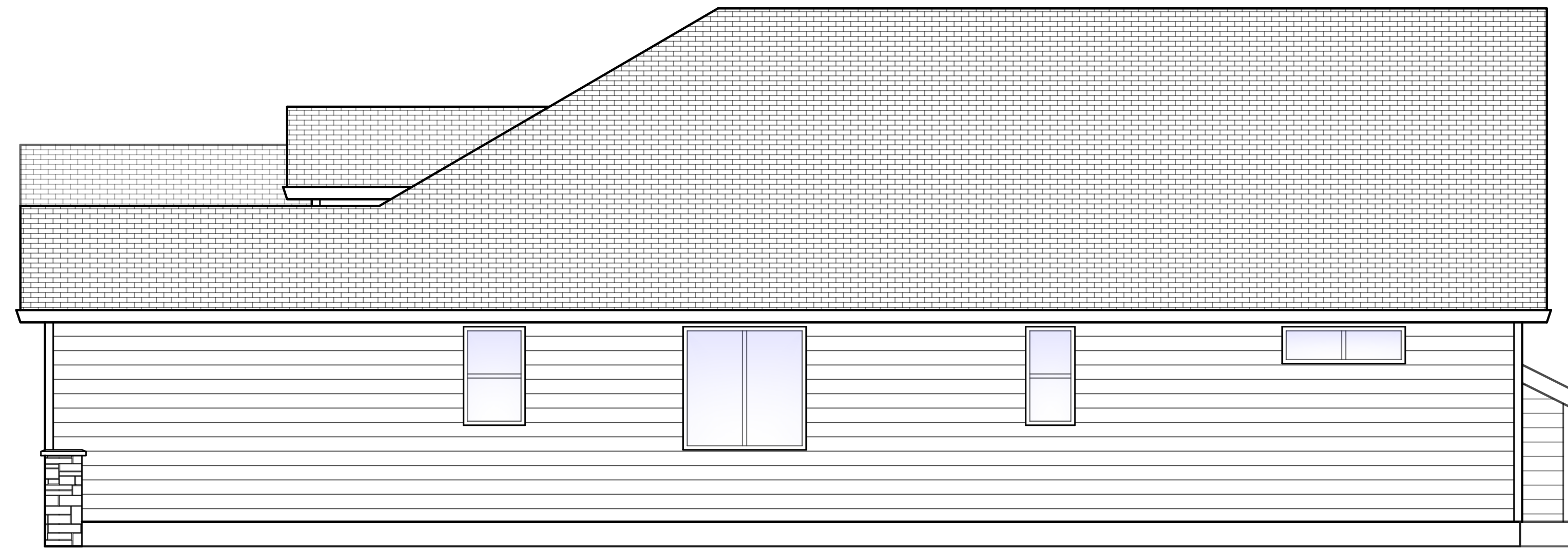
Designed by:

TYSON GREY
tyson@cedarridgehomes.us

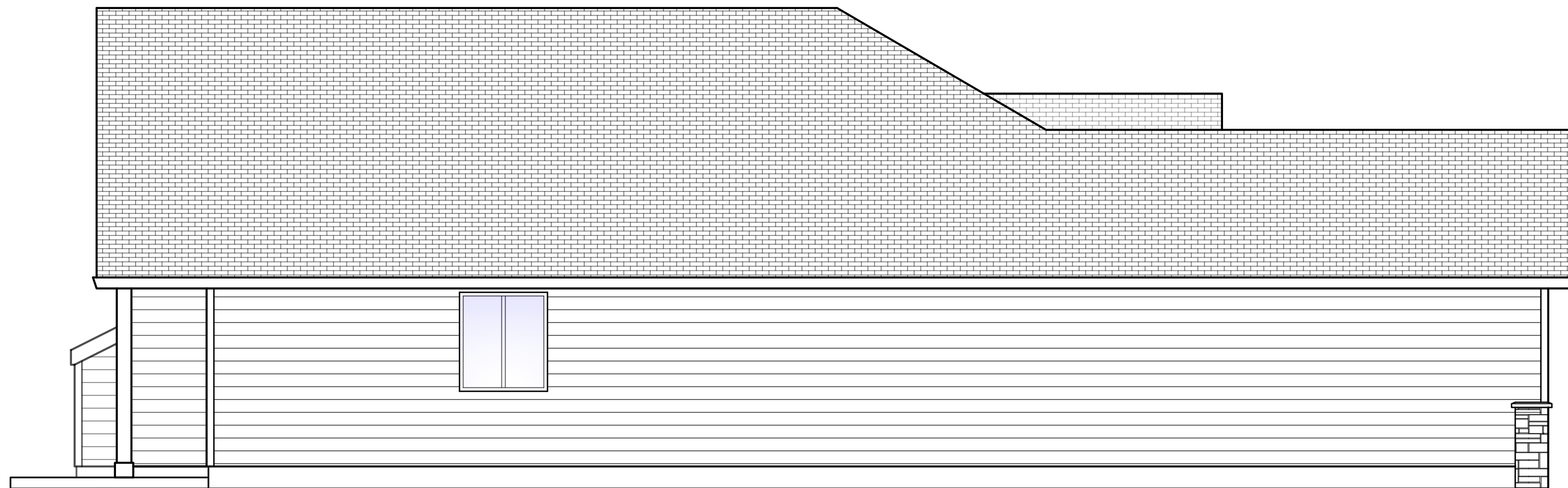
1



Front Elevation



Right Elevation



Left Elevation



Back Elevation

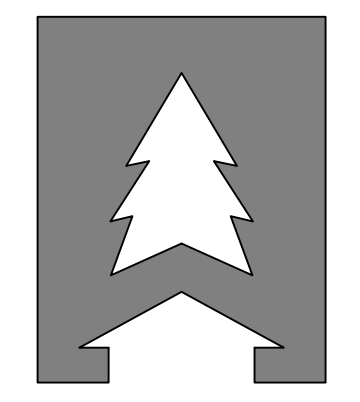
Plan Name	Rock Creek S
Date	6/25/2020
Location	Regan Hills #3 Lot 26 Estacada, OR

Total Sq Ft = 1,650

Floor Plan

Scale: 1/4" = 1'

This plan is property of:



CEDARRIDGE
H O M E S

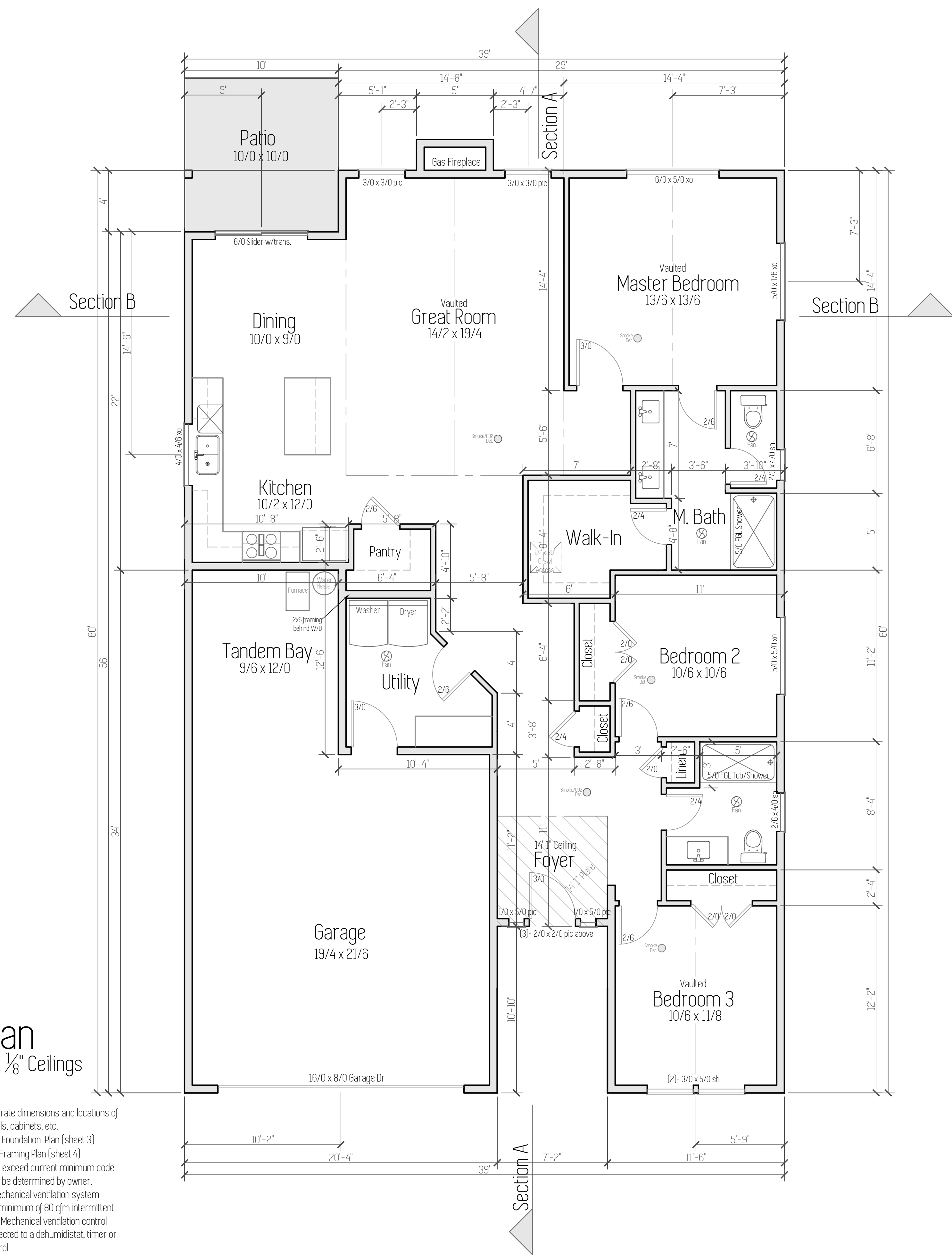
© 2020 Cedar Ridge Homes

(P) 503-666-4240
(F) 503-666-2408
www.cedarridgehomes.us

Designed by :

TYSON GREY
tyson@cedarridgehomes.us

2



Floor Plan

1,650 Sqft 9' 1 1/8" Ceilings

Notes

- Use this sheet for accurate dimensions and locations of all doors, windows, walls, cabinets, etc.
- Floor Framing: Refer to Foundation Plan (sheet 3)
- Roof Framing: Refer to Framing Plan (sheet 4)
- All electrical to meet or exceed current minimum code requirements and is to be determined by owner.
- All fans shall have a mechanical ventilation system designed to exhaust a minimum of 80 cfm intermittent or 20 cfm continuous. Mechanical ventilation control systems shall be connected to a dehumidistat, timer or similar automatic control

This plan is property of:



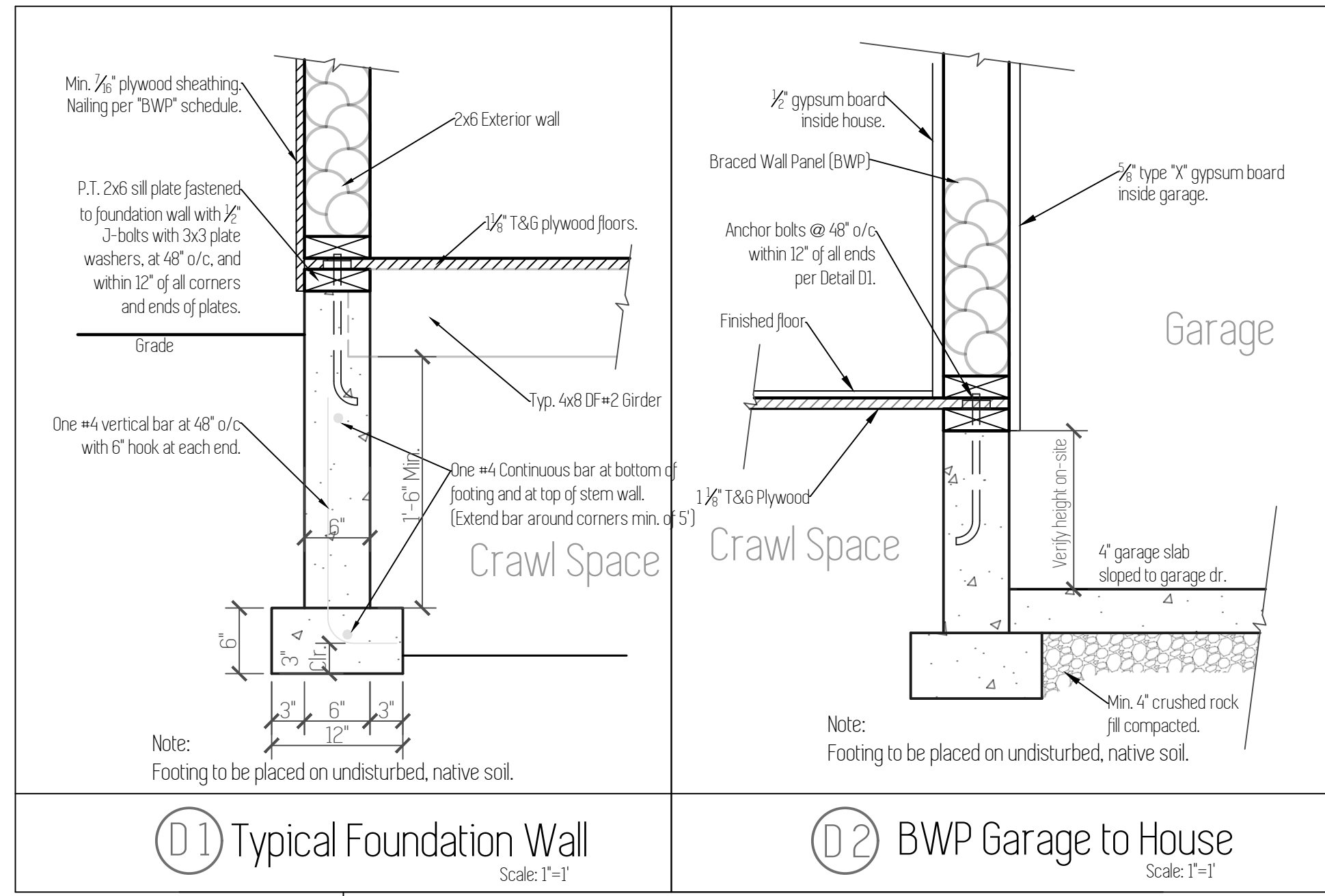
**CEDARRIDGE
HOMES**

© 2020 Cedar Ridge Homes

(P) 503-666-4240
(F) 503-666-2408
www.cedarridgehomes.us

Designed by:

TYSON GREY
tyson@cedarridgehomes.us



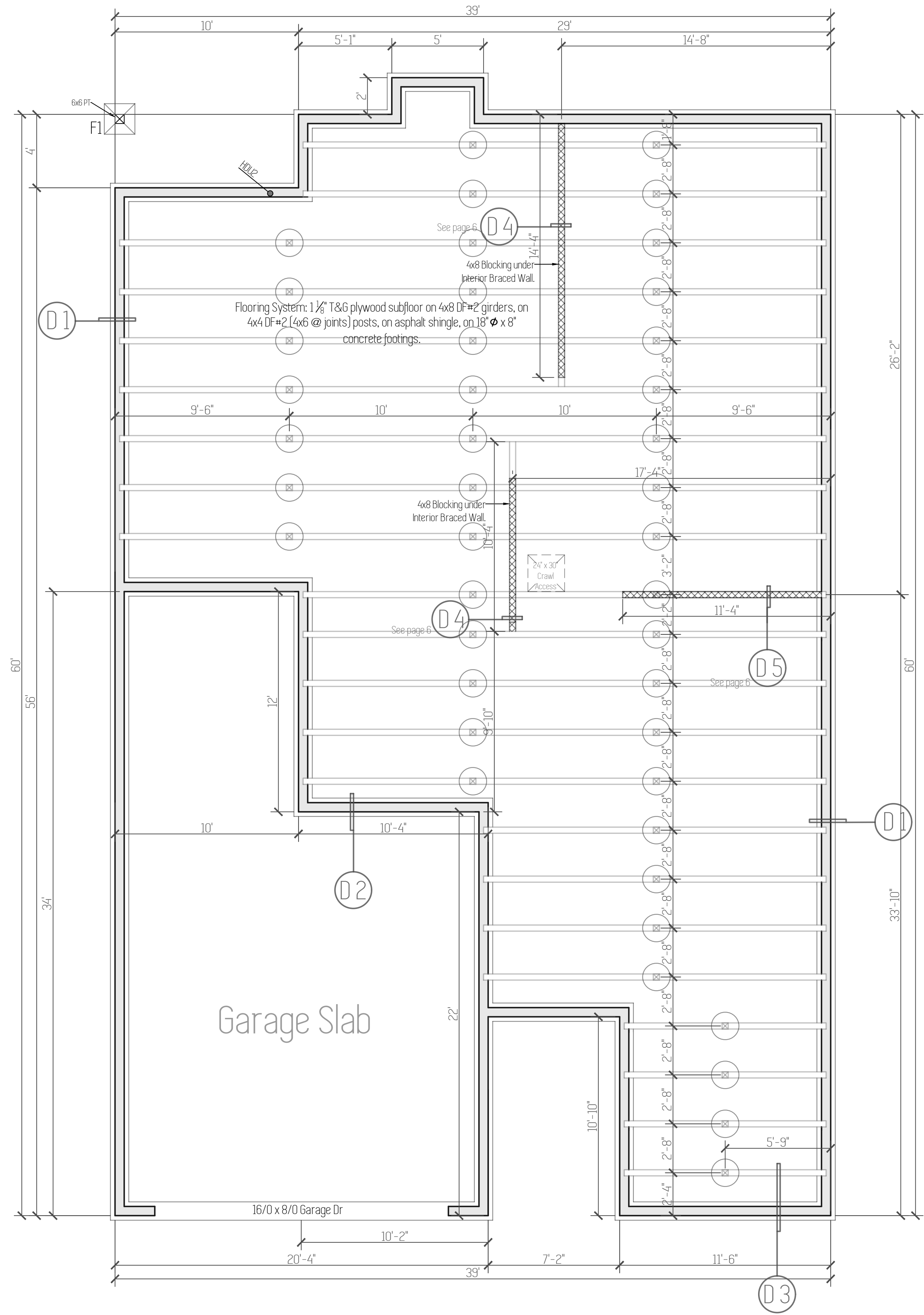
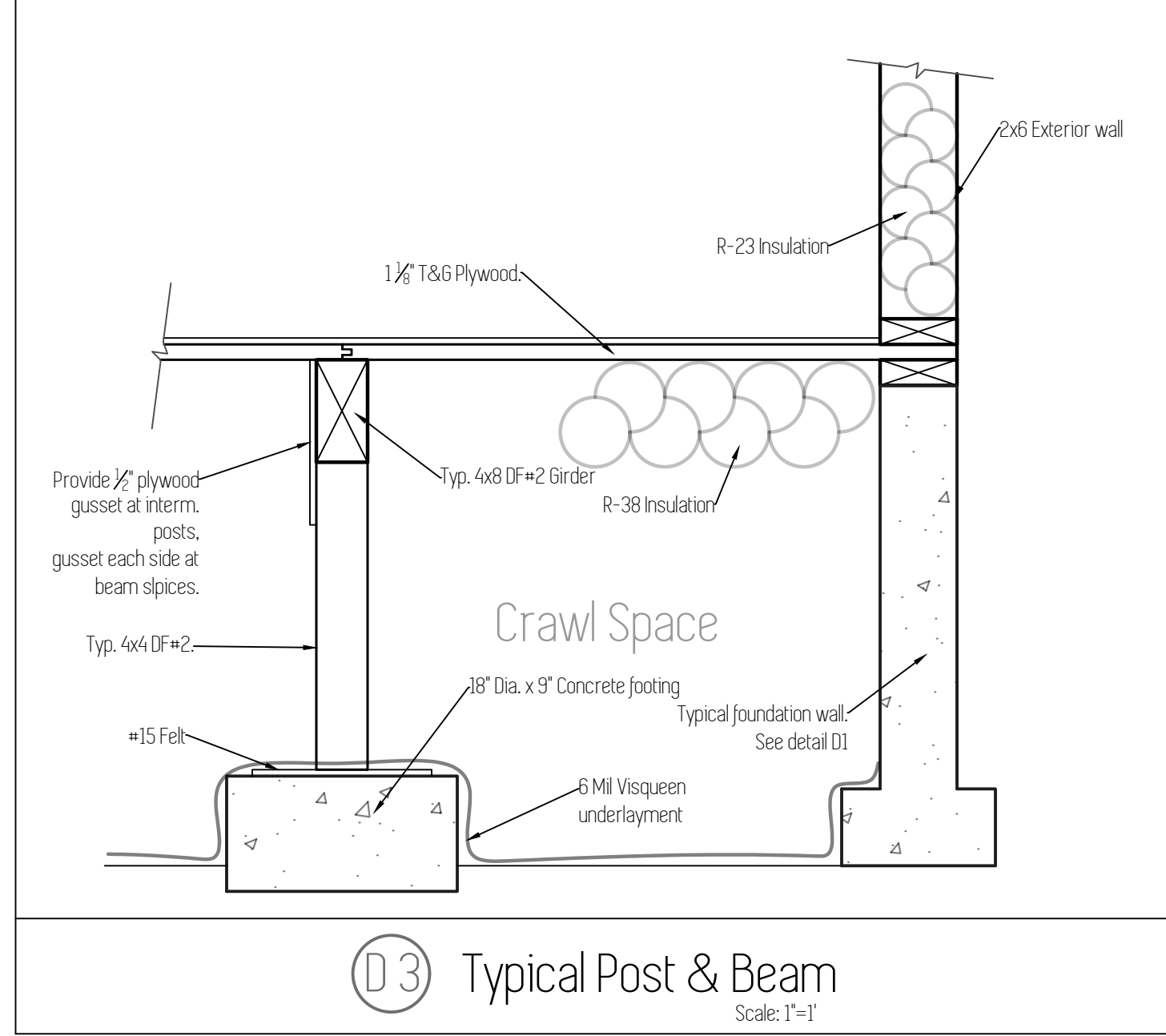
Foundation Notes

- Concrete : Minimum 28 day concrete strength = 2500 psi.
- Grade beams, piers and spread footings shall be poured onto undisturbed, native soil which is free from any material that will adversely affect the soil bearing pressure.
- Footings are to be on undisturbed soil with an assumed 1500 PSF
- All slabs to be supported with a min. of 4" of compacted crushed rock fill.
- Beam pockets in concrete walls to have a min. 1/2" air space on sides, and min. 3" of bearing for all beams and girders.
- Typical pier pad to be 18" dia. x 8" concrete footing with 4x4 DF#2 post.
- Typical crawl space beam to be 4x8 DF#2. Single gusset plate to be used on both sides of attachment to post.
- Cover entire crawl space with 6 mil black visqueen vapor barrier.
- Excavate a min. of 18" below bottom of all beams.
- Install 15" x 7" closable FND vents in FND walls. Min 1 sq ft vented area for every 150 sq ft of crawl space.
- 1/2" Anchor bolts install at 48" o/c, and within 12" of all corners and ends of plates.

Footing Schedule

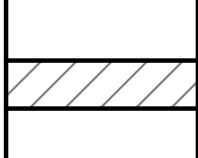
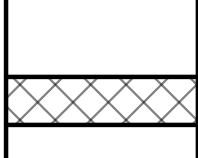

F1	24" x 24" x 8" Concrete footing with (2) #4 bars each way.
----	--

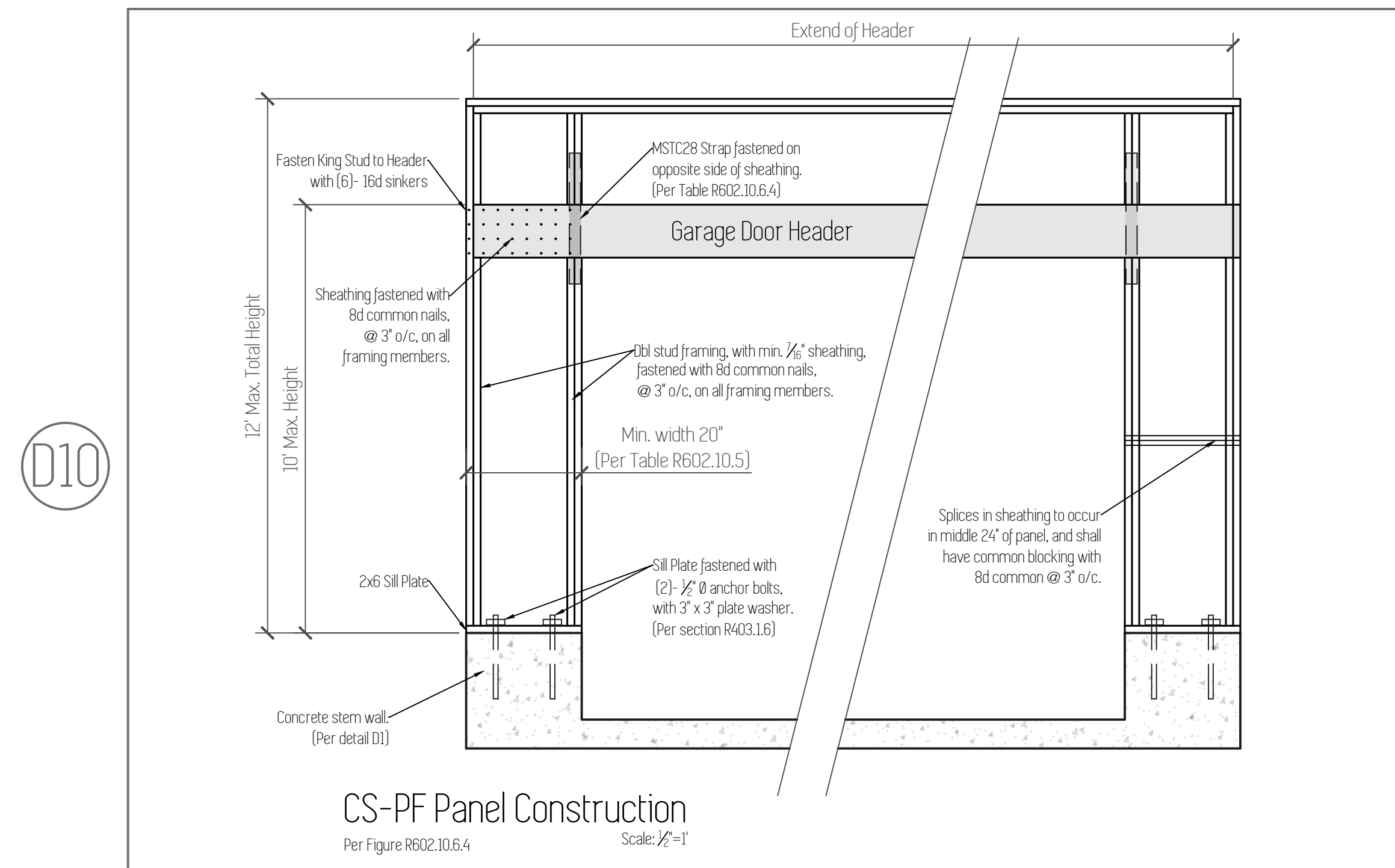
Interior Braced Wall (above)



Design Standards

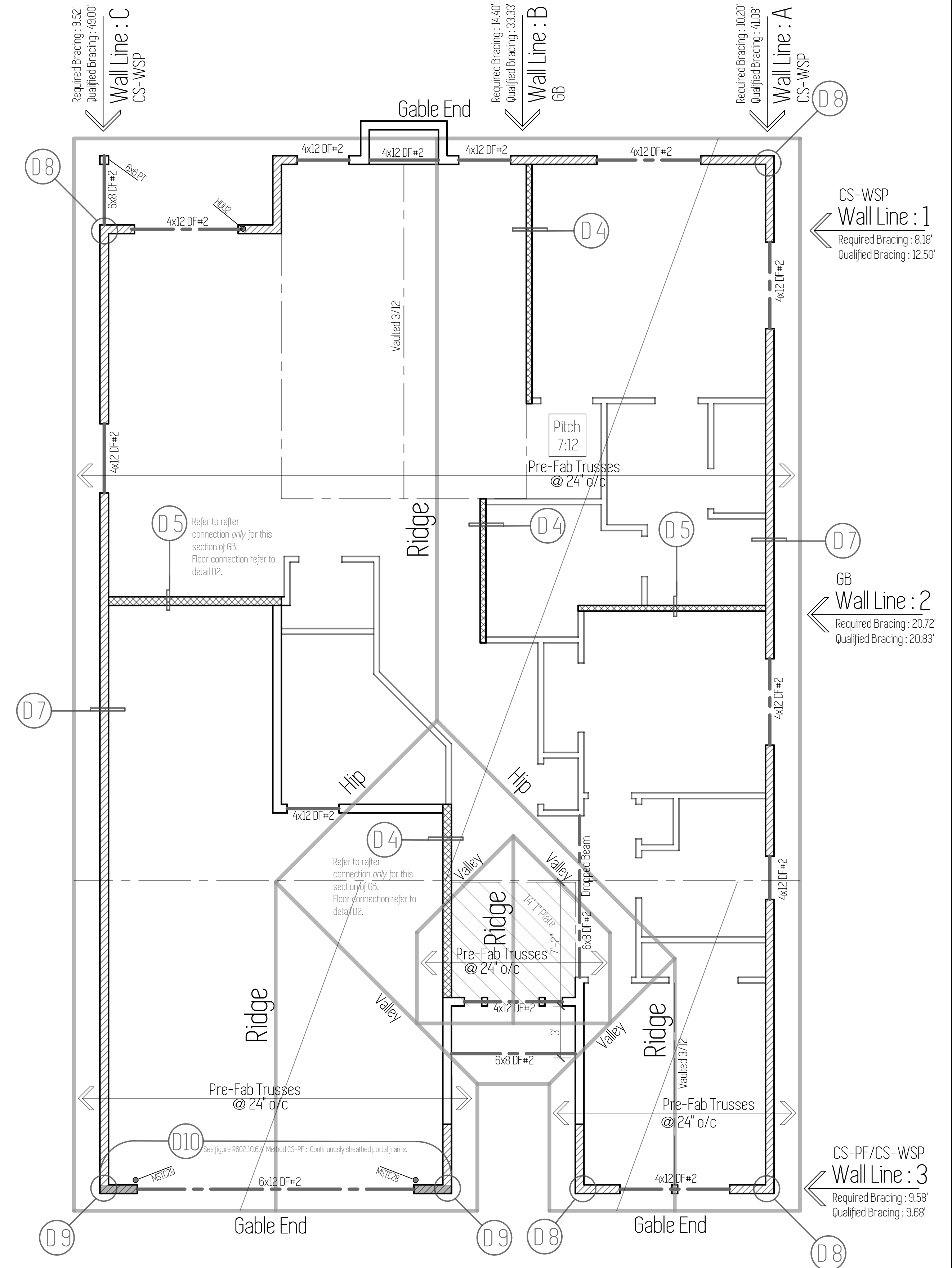
Code : 2015 IRC
 Wind Speed : 135 mph
 Wind Exposure : B
 Snow Load : 25 PSF
 Seismic Design Category : D-1
 Soil Bearing Pressure : 1500 PSF
 Soil Passive Bearing Pressure : 200 PSF

Bracing Method	Minimum Thickness	Connection Criteria	
		Fasteners	Spacing
 CS-WSP Continuously Sheathed Wood Structural Panel	3/8"	8d common nail	6" Edges, 12" Field
 GB Gypsum Board Double-Sided	1/2"	Nails per Table R702.3.5 for interior locations.	For all braced wall panel locations: 7" edges, 7" field.
 CS-PF Continuously Sheathed Portal Frame	7/16"	8d common nail	3" Grid on all framing members



Roofing Notes

- 7/12 Pitch on entire roof. (Except hand cut section over front porch)
- 18" overhang on all eaves. 12" overhang on all gables.
- Install roof vents along ridge @ 4' o.c.



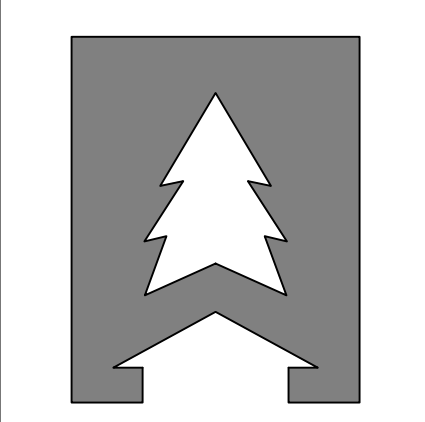
Plan Name	Rock Creek S
Date	6/25/2020
Location	Regan Hills #3 Lot 26 Estacada, OR

Total Sq Ft = 1,650

Framing Plan

Scale: 1/4" = 1'

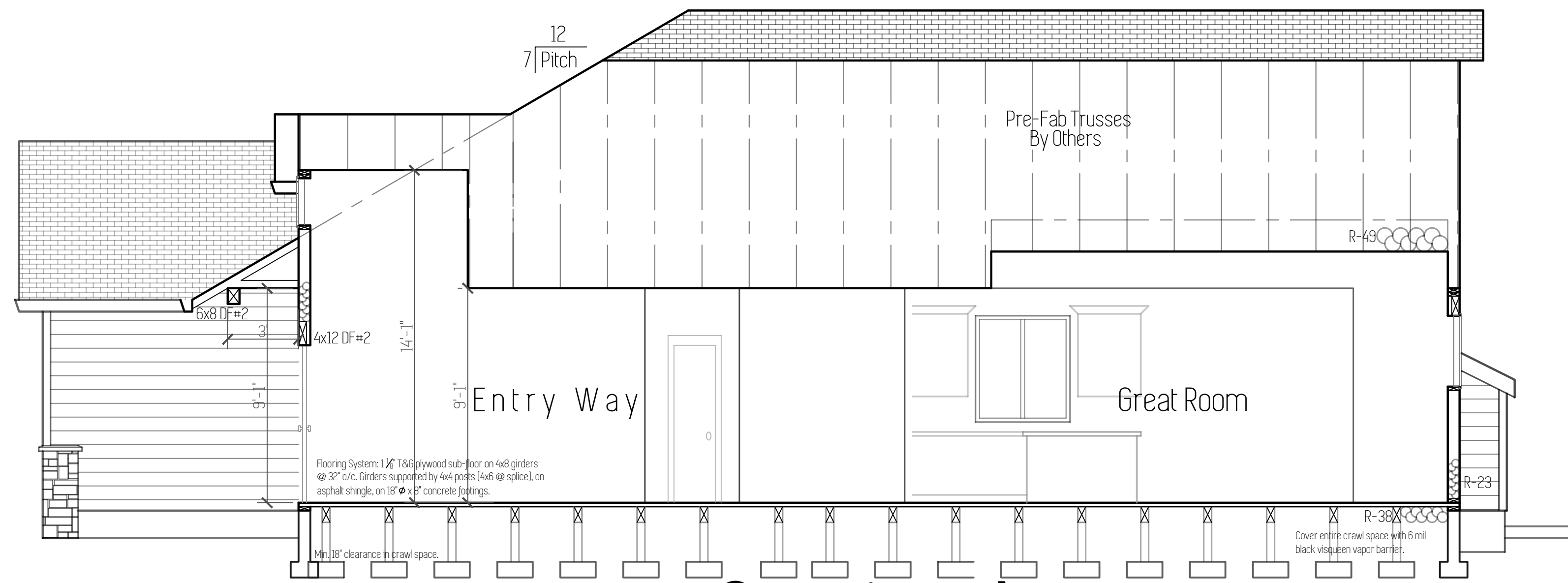
This plan is property of:



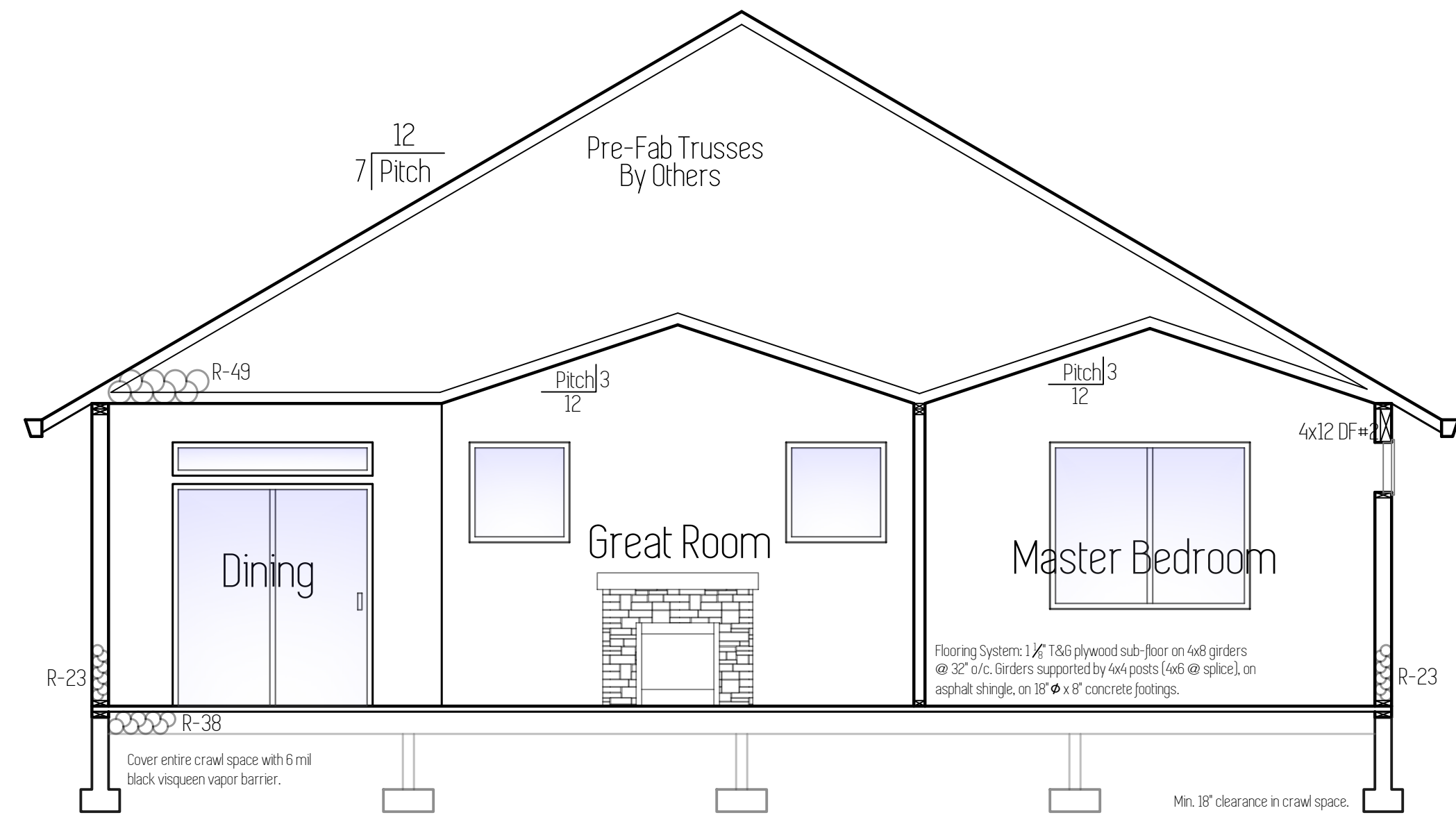
CEDARRIDGE HOMES

© 2020 Cedar Ridge Homes
 (P) 503-666-4240
 (F) 503-666-2408
 www.cedarridgehomes.us

Designed by:
TYSON GREY
 tyson@cedarridgehomes.us



Section A



Section B

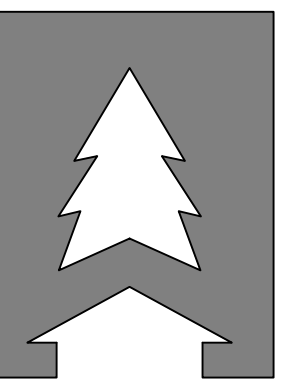
Plan Name	Rock Creek S
Date	6/25/2020
Location	Regan Hills #3 Lot 26 Estacada, OR

Total Sq Ft = 1,650

Sections

Scale: 1/4" = 1'

This plan is property of:



CEDARRIDGE
H O M E S

© 2020 Cedar Ridge Homes

(P) 503-666-4240
(F) 503-666-2408
www.cedarridgehomes.us

Designed by:
TYSON GREY
tyson@cedarridgehomes.us

General Notes

- All work is to comply with the 2014 Oregon Residential Specialty Code (ORSC).
- The contractor is responsible to check the plans omissions prior to the start of construction.
- Structural specifications and drawings for this work have been prepared in accordance with generally accepted engineering practices to meet minimum requirements of the 2014 ORSC.
- Any written dimensions have precedence over scaled dimensions.

Foundation Notes

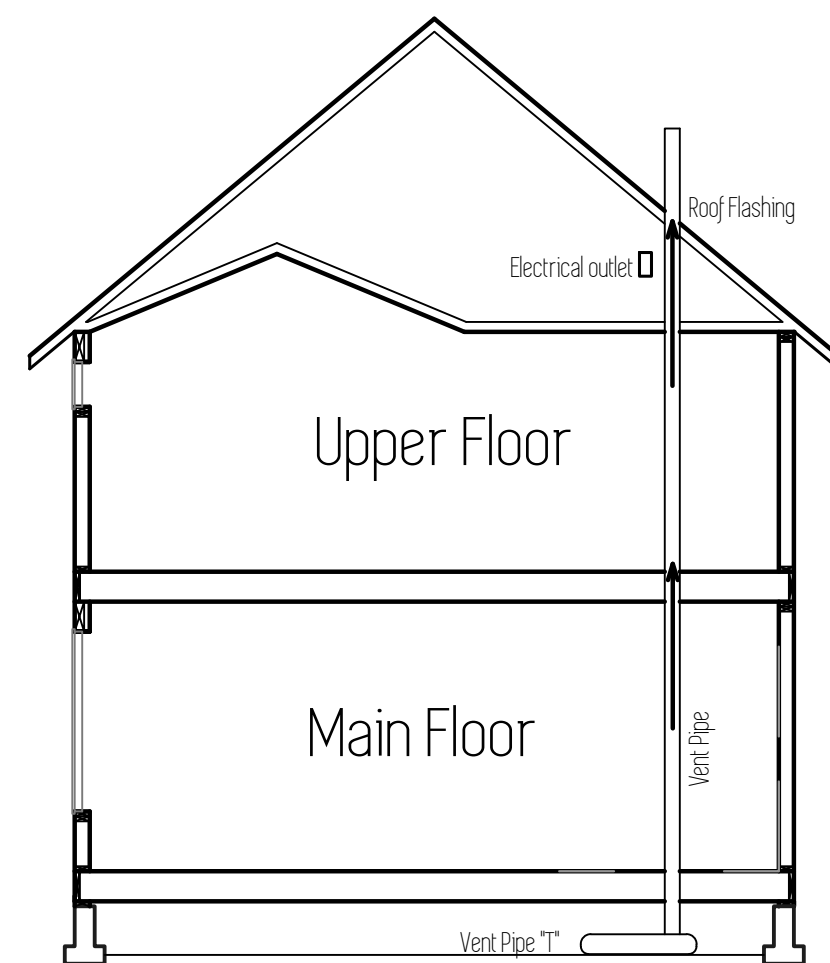
- Footings are to be placed on undisturbed, native soil with an assumed 1500 PSF.
- All slabs to be supported with a minimum of 4" compacted, crushed rock fill.
- Beam pockets in concrete walls to a minimum $\frac{1}{2}$ " air space on sides, and minimum 3" of bearing for all beams and girders.
- Cover entire crawl space with 6 mil black visqueen vapor barrier.
- Excavate minimum of 18" below bottom of all beams.
- Install 15" x 7" closable foundation vents in foundation walls. Minimum of 1 SqFt vented area for every 150 SqFt of crawl space.
- Foundation stem walls shall be provided with a minimum of one #4 bar within 12" of the top of the wall, and one #4 bar a minimum of 3" clearance from the bottom of the footing.
- A grounding electrode system shall be installed in foundations: One #4 horizontal bar not less than 3" from bottom of footing and not less than 20' long, one #4 vertical bar stubbed up at least 12" above the floor plate with a minimum 12" splice to the horizontal bar.
- Foundation anchor bolts shall be not less than $\frac{1}{2}$ " diameter bolts embedded at least 7" into concrete, or masonry, spaced 48" o/c, with at least two bolts per plate and within 12" of ends and corners.
- Foundations wall shall extend at least 6" above grade.
- Drains shall be provided around all foundations enclosing habitable or usable space below grade.
- Waterproofing is required on the outside surface of below-grade foundation walls enclosing interior space.
- An 18" x 24" (minimum) access opening is required to all under-floor spaces.

Radon Passive System

AF103.5.3 Vent Pipe

A plumbing tee or other approved connection shall be inserted horizontally beneath the sheathing and connected to a 3- or 4-inch-dia. fitting with a vertical vent pipe installed through the sheathing. The vent pipe shall be extended up through the building floors, terminate at least 12" above roof in a location at least 10' away from any window or other opening into the conditioned spaces of the building that is less than 2' below the exhaust point, and 10' from any window or other opening adjoining or adjacent buildings.

*Install electrical outlet in attic at vent pipe for future fan.



Framing Notes

- All stud spacing to be 16" o/c.
- Exterior wall: 2x6 DF#2.
- Interior wall: 2x4 DF#2.
- Walls shall be capped with a double top plate to provide overlapping at corners and intersections with bearing partitions.
- Anchor bolts embedded in foundation wall and fastened to sill plate 48" o/c.
- Sheathing: Wall sheathing to be $\frac{1}{2}$ " APA rated CDX or OSB. All panel edges shall be backed by wall stud. Nail panels with 8d nails at 6" o/c along edges and 12" o/c in field. (Same applies for roof sheathing.)
- Fireblocking shall be installed in concealed spaces of wood construction; in walls at ceiling and floor levels, and not more than 10' horizontally; and intersections between vertical and horizontal spaces such as dropped ceilings and soffits; between stair stringers at top and bottom of stair runs.
- Fireblocking shall consist of 2" nominal lumber, $\frac{1}{2}$ " gypsum board, mineral wool or glass fiber insulation securely retained, or other approved material.
- Draftstopping shall be in concealed floor-ceiling construction parallel to the framing members so that the area does not exceed 1,000 SqFt.
- Fasteners and connectors in contact with P.T. wood shall be hot dipped galvanized steel or equivalent.
- Notches in sawn lumber joists, rafters, and beams shall not exceed $\frac{1}{8}$ of the member's depth, not longer than $\frac{1}{2}$ of the member's depth, and not located in the middle $\frac{1}{2}$ of the member's span.
- Notches at ends shall not exceed $\frac{1}{4}$ of the member's depth.
- Tension side of members greater than 4" nominal thickness shall not be notched except at the ends.
- Hole diameters shall not exceed $\frac{1}{2}$ of the member's depth, and not be closer than 2" to the top or bottom, or to any other hole or notch.
- Cuts, notches or holes are not permitted in engineered wood products, except where permitted by the product manufacturer or where designed by a registered design professional.
- Top plates of bearing walls notched or drilled more than 50% of their width shall have a minimum 16 gauge, 1 $\frac{1}{2}$ " wide galvanized strap installed at the opening. Straps shall extend 6" minimum past the opening with (8)-10d nails on each side.
- Engineered truss drawings shall be submitted for review and approval prior to erection.
- Trusses shall be braced per manufacturer.
- Tie-downs shall be installed to provide a continuous load path from trusses to foundation.

Energy Efficiency

From Table N1101.1(2) "Additional Measures"

Envelope Enhancement Measure:

2: Upgraded features

Exterior walls: U-0.057/R-23 intermediate or R-21 advanced

Framed floors: U-0.026/R-38

Windows: U-0.25 (ave. UA)

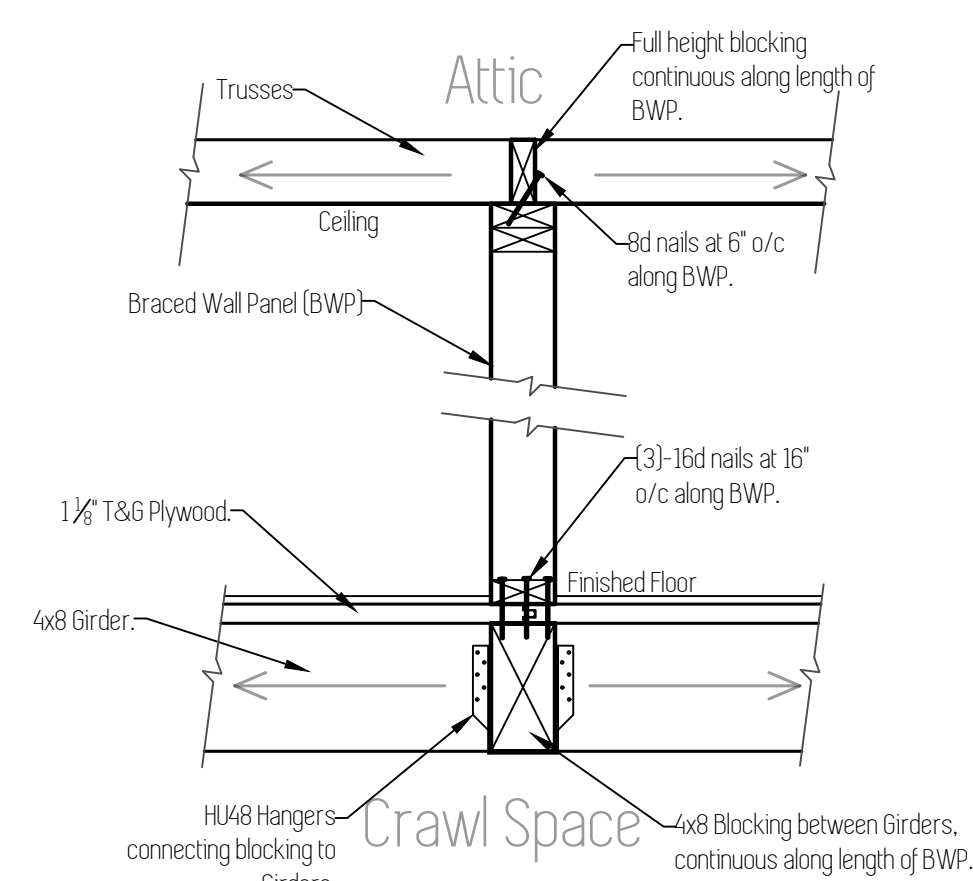
Conservation Measure:

A: High efficiency HVAC system

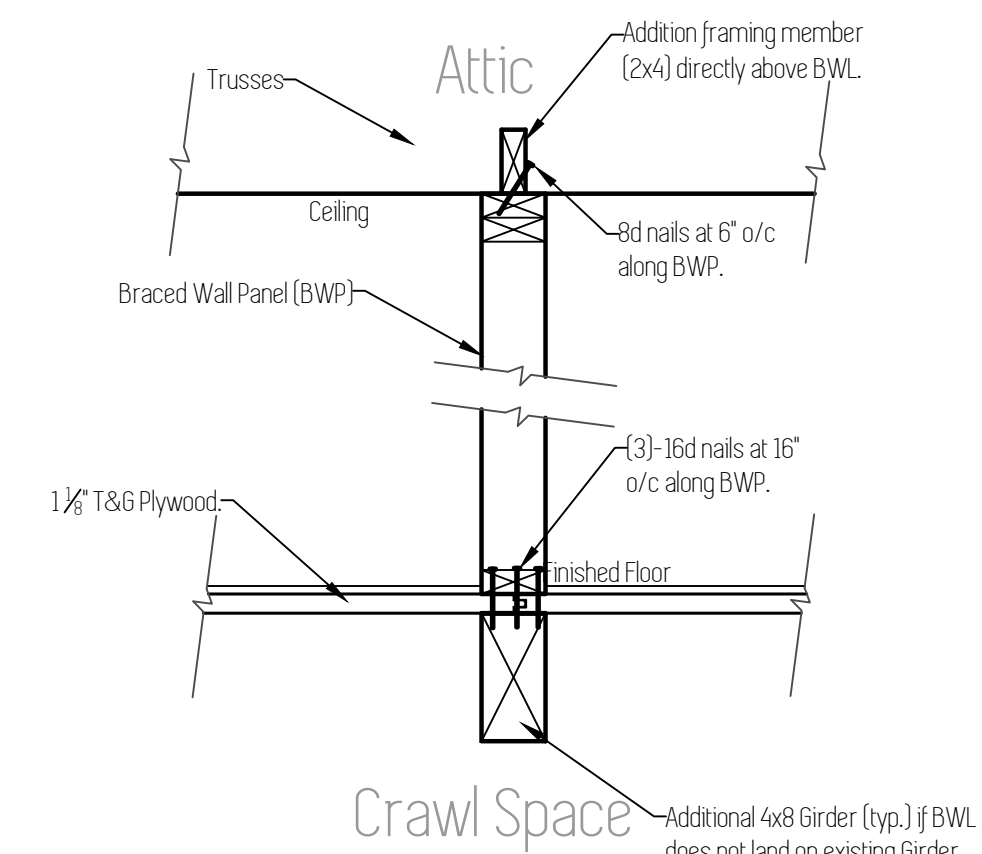
Gas-fired furnace or boiler AFUE 94%, or

Air source heat pump HSPF 9.5/15.0 SEER cooling, or

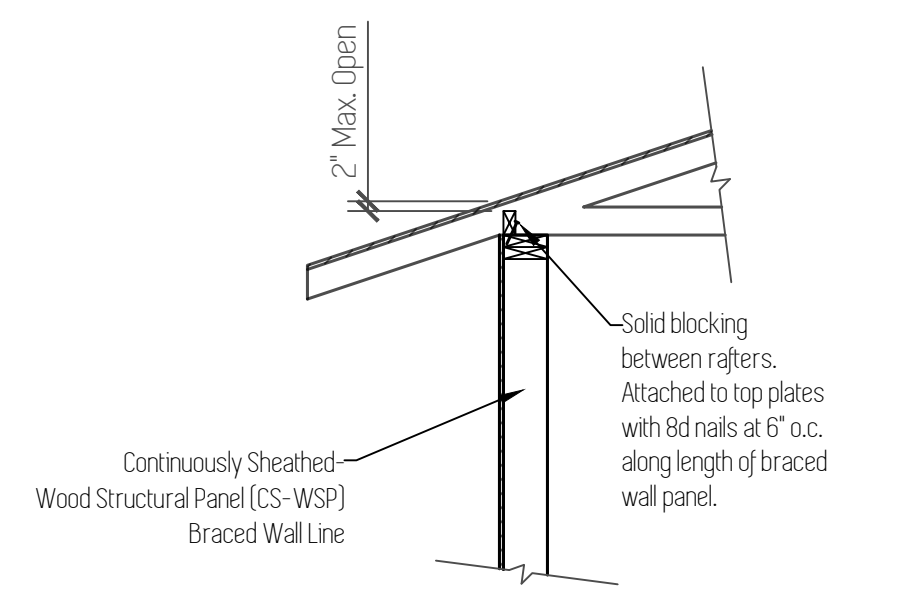
Ground source heat pump COP 3.5 or Energy Star rated



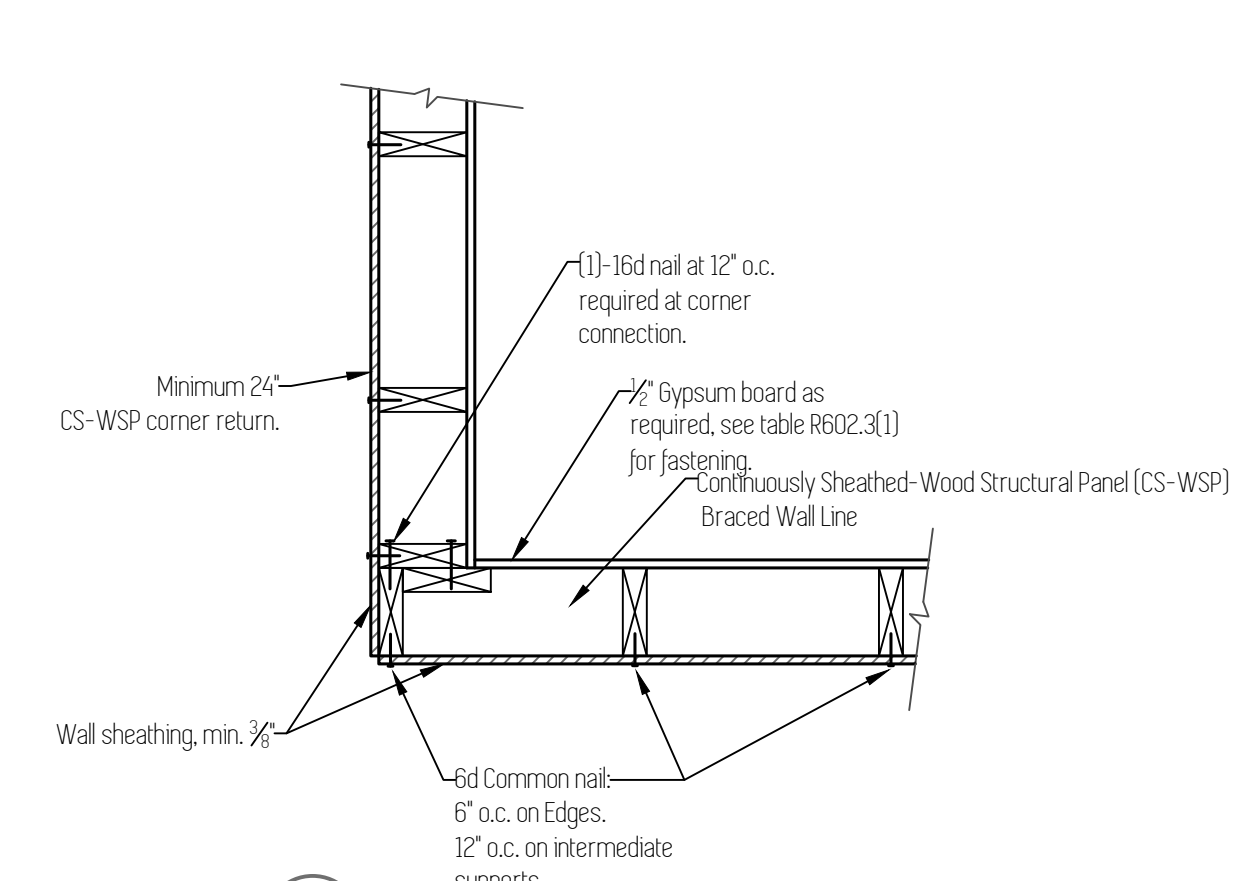
05 Figure R602.10.8(1)
Braced Wall Panel connection when perpendicular to floor/ceiling framing. Scale: 1"=1'



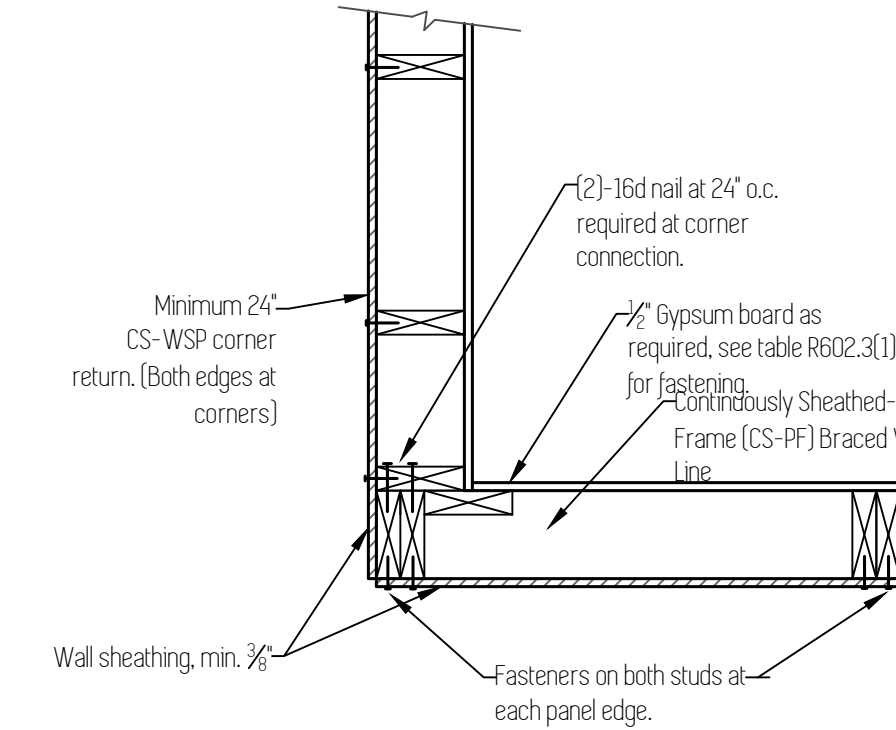
06 Figure R602.10.8(2)
Braced Wall Panel connection when parallel to floor/ceiling framing. Scale: 1"=1'



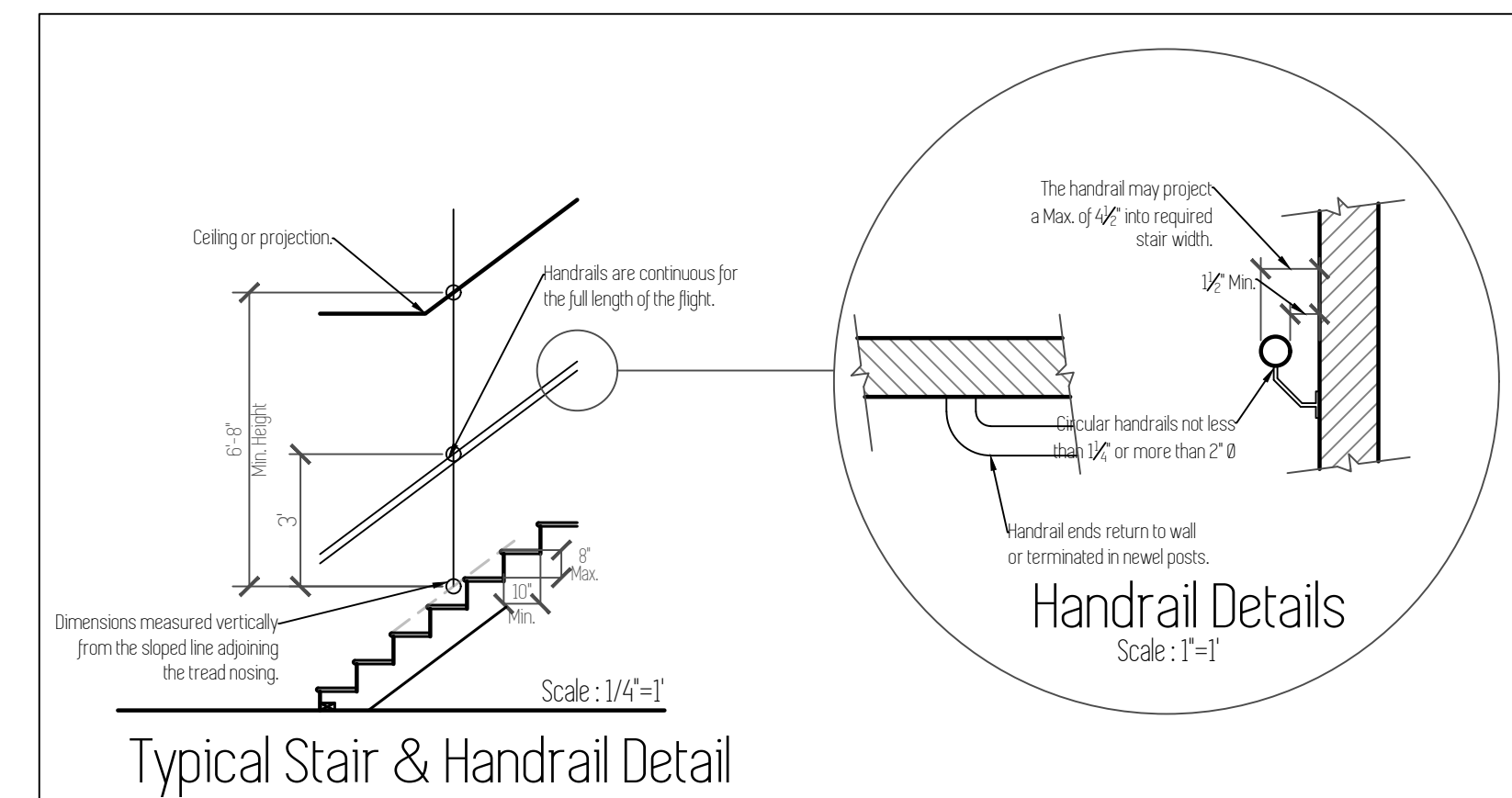
07 Figure R602.10.8.2(1)
Braced Wall Panel connection to perpendicular rafters. Scale: $\frac{1}{2}$ "=1'



08 Outside Corner Connection
Scale: 1"=1'



09 Garage Corner Connection
Scale: 1"=1'



Typical Stair & Handrail Detail
Scale: 1/4"=1'

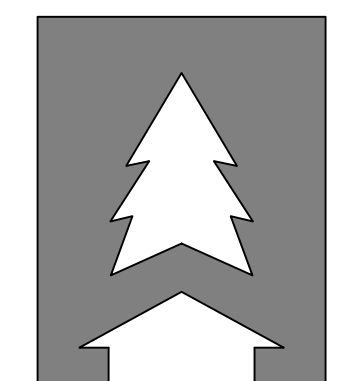
Plan Name	Rock Creek S
Date	6/25/2020
Location	Regan Hills #3 Lot 26 Estacada, OR

Total Sq Ft = 1,650

Details/Notes

Scale: 1/4" = 1'

This plan is property of:



CEDARRIDGE
HOMES

© 2019 Cedar Ridge Homes

(P) 503-666-4240
(F) 503-666-2408
www.cedarridgehomes.us

Designed by:
TYSON GREY
tyson@cedarridgehomes.us