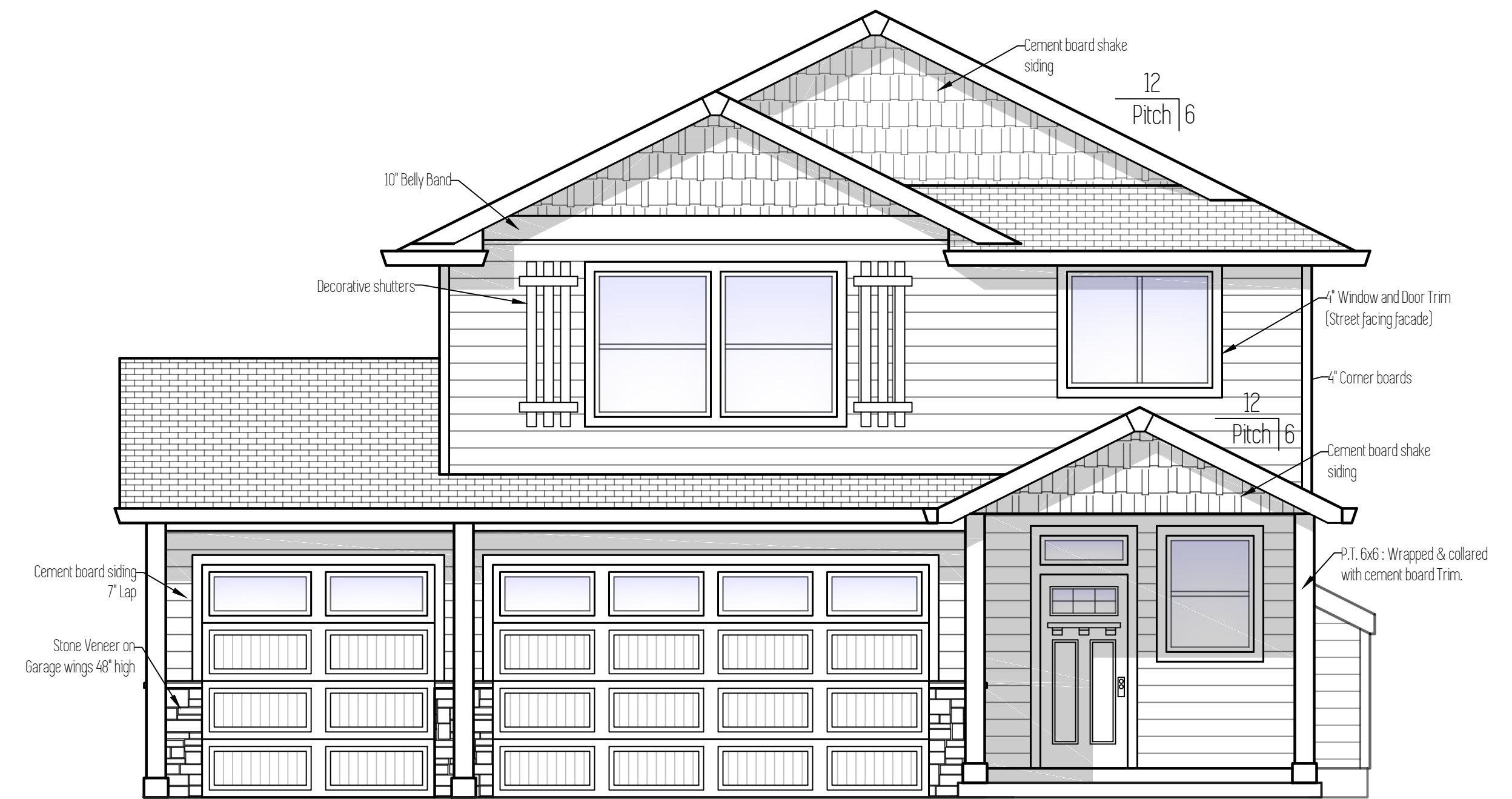
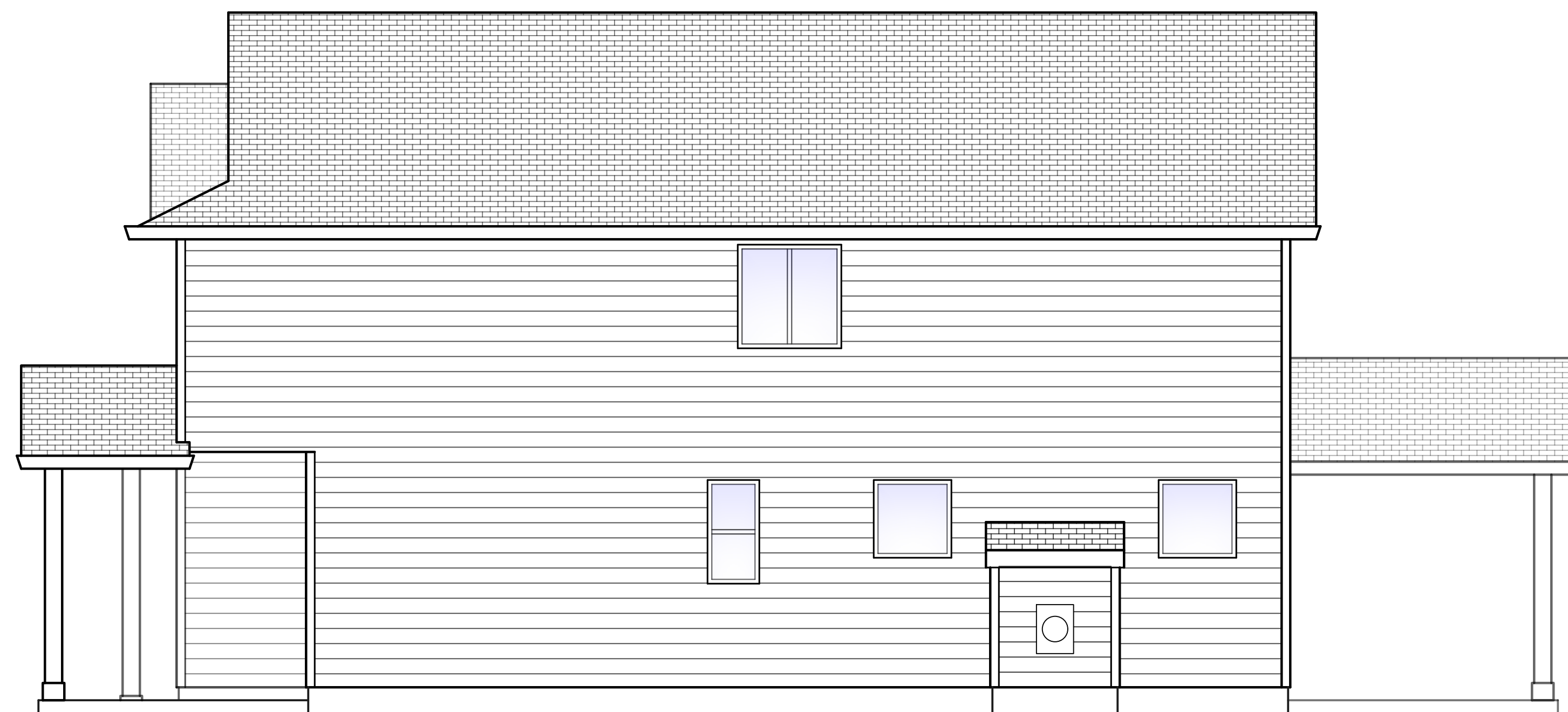


Left Elevation



Front Elevation



Right Elevation



Back Elevation

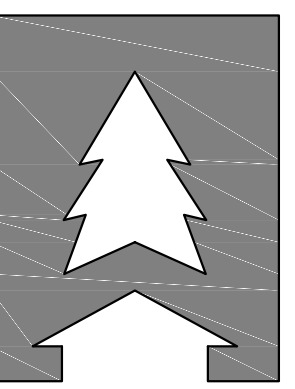
Plan Name	Washington
Date	10/24/2018
Location	Regan Hill Acres 3 Lot 60 Estacada, OR 97023

Total Sq Ft = 2,090

Elevations

Scale : 1/4" = 1'

This plan is property of:



CEDARRIDGE
H O M E S

© 2018 Cedar Ridge Homes

(P) 503-666-4240
(F) 503-666-2408
www.cedarridgehomes.us

Designed by:

TYSON GREY
tyson@cedarridgehomes.us

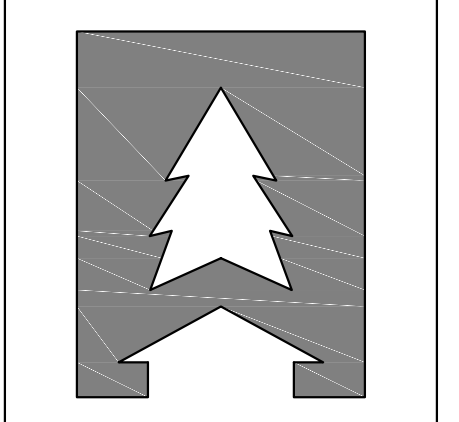
Plan Name	Washington
Date	10/24/2018
Location	Regan Hill Acres 3 Lot 60 Estacada, OR 97023

Total Sq Ft = 2,090

Floor Plan

Scale: 1/4" = 1'

This plan is property of:



CEDARRIDGE
H O M E S

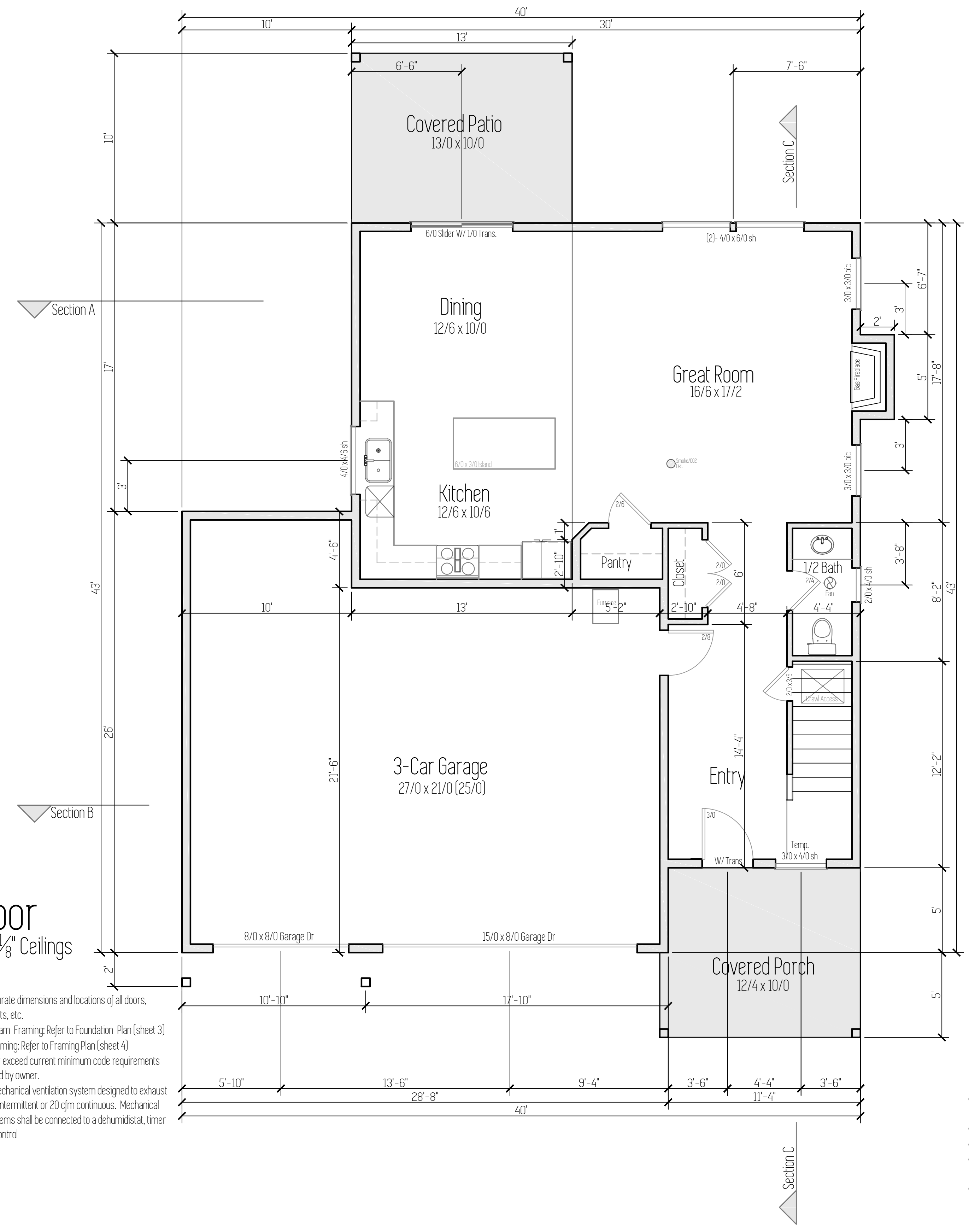
© 2018 Cedar Ridge Homes

(P) 503-666-4240
(F) 503-666-2408
www.cedarridgehomes.us

Designed by:

TYSON GREY
tyson@cedarridgehomes.us

2

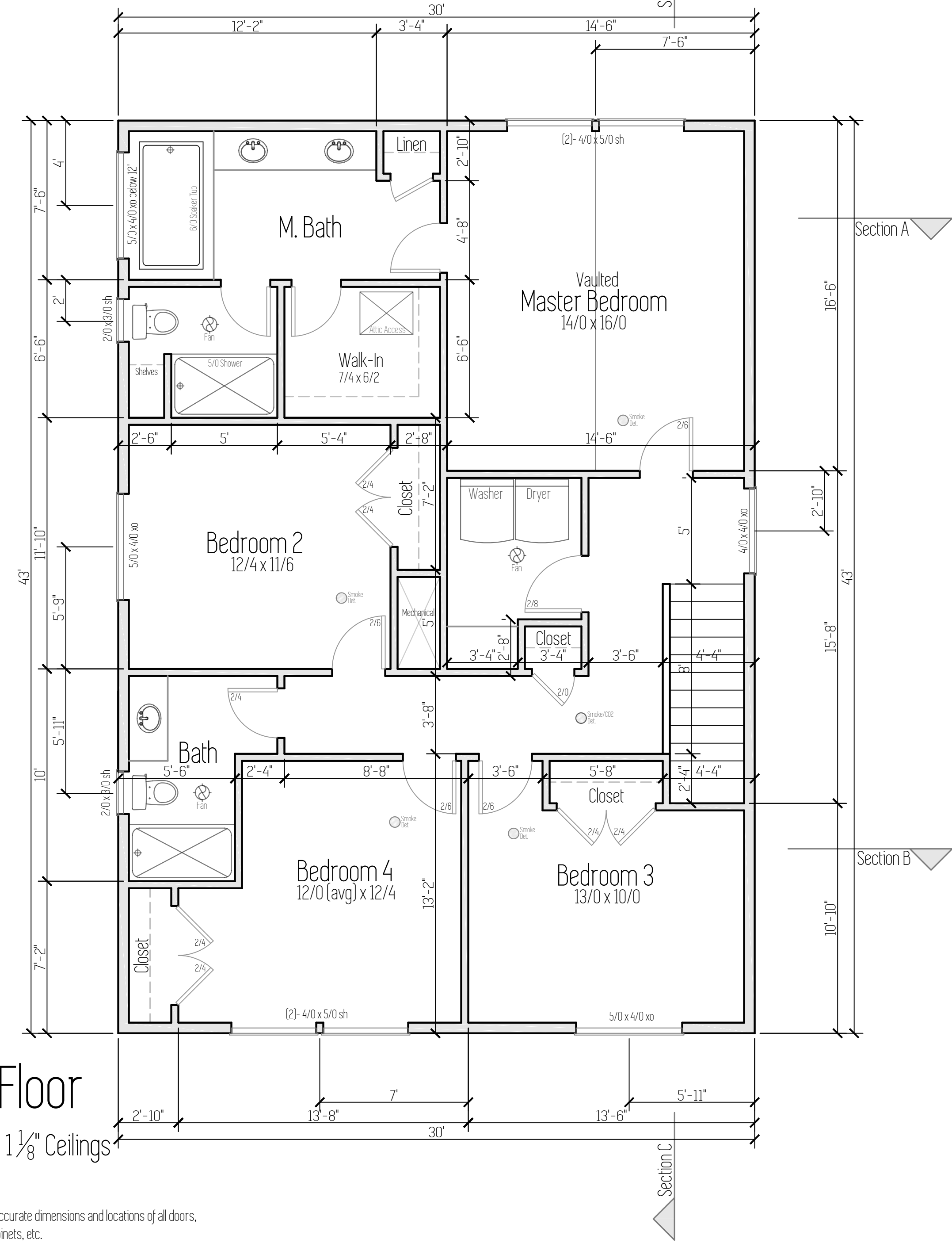


Main Floor

845 Sqft 9' 1 1/8" Ceilings

Notes

- Use this sheet for accurate dimensions and locations of all doors, windows, walls, cabinets, etc.
- Lower Floor Post & Beam Framing: Refer to Foundation Plan (sheet 3)
- Upper Floor & Roof Framing: Refer to Framing Plan (sheet 4)
- All electrical to meet or exceed current minimum code requirements and is to be determined by owner.
- All fans shall have a mechanical ventilation system designed to exhaust a minimum of 80 cfm intermittent or 20 cfm continuous. Mechanical ventilation control systems shall be connected to a dehumidistat, timer or similar automatic control

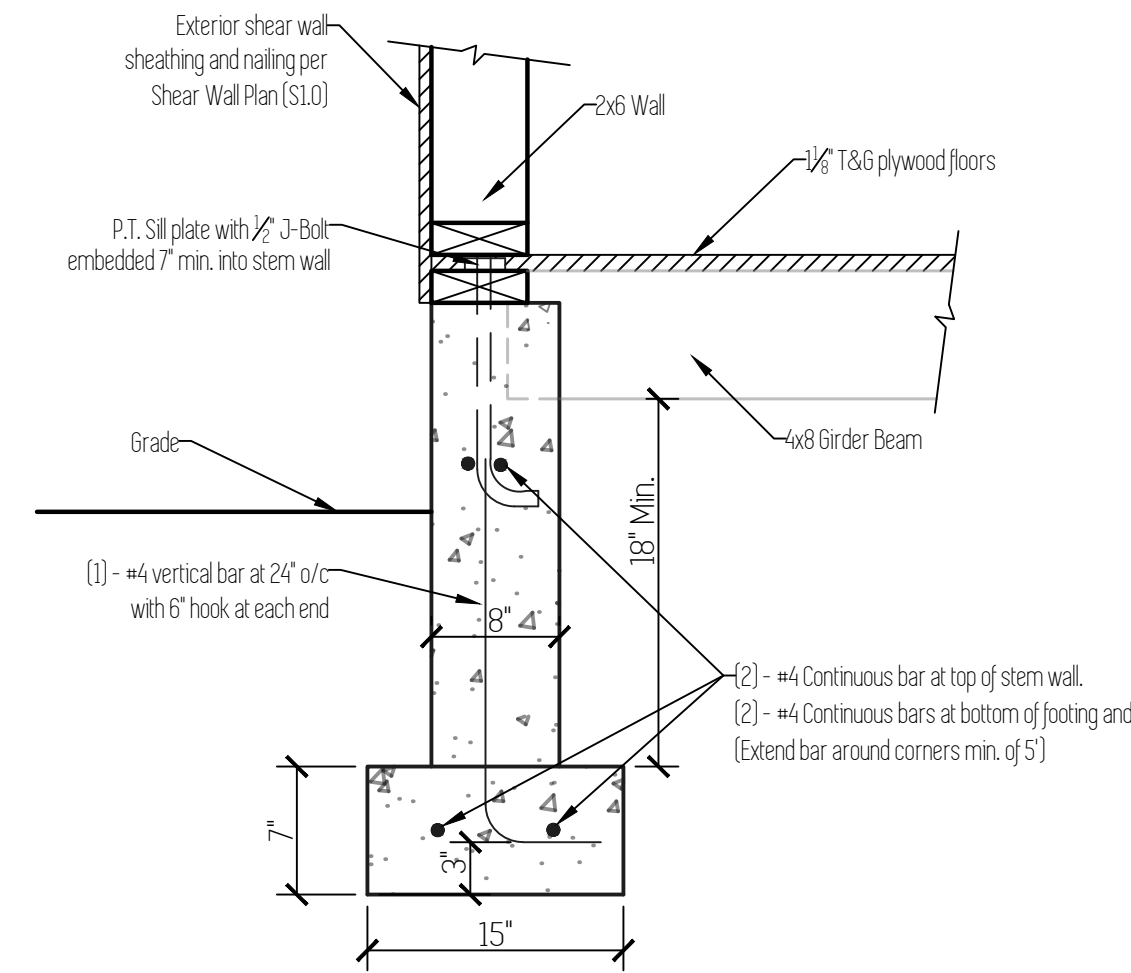


Upper Floor

1,245 Sqft 8' 1 1/8" Ceilings

Notes

- Use this sheet for accurate dimensions and locations of all doors, windows, walls, cabinets, etc.
- Lower Floor Post & Beam Framing: Refer to Foundation Plan (sheet 3)
- Upper Floor & Roof Framing: Refer to Framing Plan (sheet 4)
- All electrical to meet or exceed current minimum code requirements and is to be determined by owner.
- All fans shall have a mechanical ventilation system designed to exhaust a minimum of 80 cfm intermittent or 20 cfm continuous. Mechanical ventilation control systems shall be connected to a dehumidistat, timer or similar automatic control



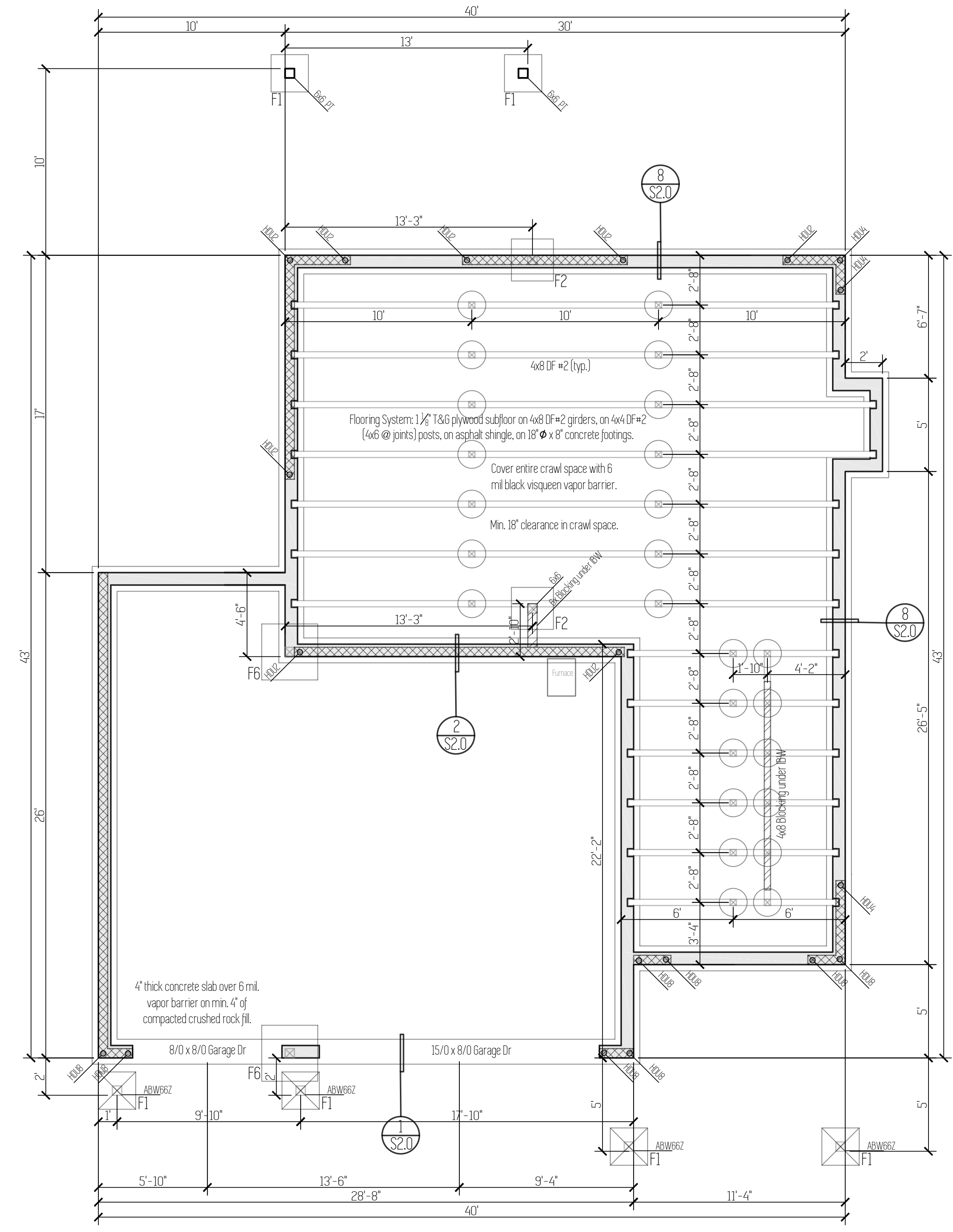
8
S2.0
Footing Section Scale: 1"=1'
Note:
1. Footing to be place on undisturbed, native soil.
2. Refer to Shear Wall Schedule for sill bolt spacing at shear wall locations.

Foundation Notes

- Concrete : Minimum 28 day concrete strength = 2500 psi.
- Grade beams, piers and spread footings shall be poured onto undisturbed, native soil which is free from any material that will adversely affect the soil bearing pressure.
- Footings are to be on undisturbed soil with an assumed 1500 PSF
- All slabs to be supported with a min. of 4" of compacted crushed rock fill.
- Beam pockets in concrete walls to have a min. 1/2" air space on sides, and min. 3" of bearing for all beams and girders.
- Typical pier pad to be 18" dia. x 8" concrete footing with 4x4 DF#2 post.
- Typical crawl space beam to be 4x8 DF#2. Single gusset plate to be used on both sides of attachment to post.
- Cover entire crawl space with 6 mil black visqueen vapor barrier.
- Excavate a min. of 18" below bottom of all beams.
- Install 15" x 7" closable FND vents in FND walls. Min 1 sq/ft vented area for every 150 sq/ft of crawl space.
- Refer to Shear Wall Schedule and Hold-Down Schedule for sill bolt spacing and hold-down size. (PAGE S1.0)

- ▨ Shear Wall Panel
- ▨ Interior Bearing Wall (above)
- Hold-Down

Footing Schedule	
F1	24" x 24" x 8" Concrete footing with (2) #4 bars each way.
F2	27" x 27" x 8" Concrete footing with (2) #4 bars each way.
F6	42" x 42" x 10" Concrete footing with (4) #4 bars each way.



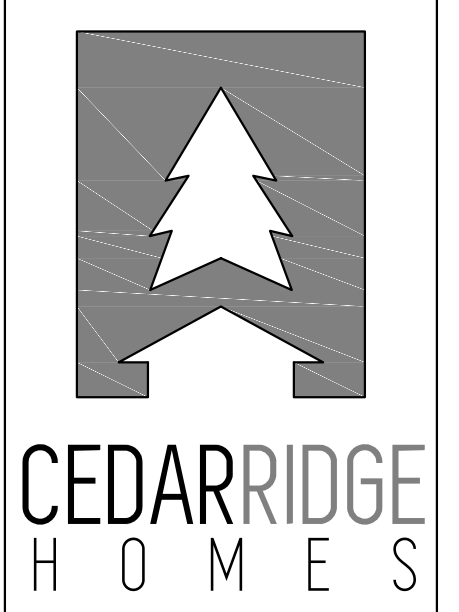
Plan Name	Washington
Date	10/24/2018
Location	Regan Hill Acres 3 Lot 60 Estacada, OR 97023

Foundation Plan

Total Sq Ft = 2,090

Scale: 1/4" = 1'

This plan is property of:



© 2018 Cedar Ridge Homes
(P) 503-666-4240
(F) 503-666-2408
www.cedarridgehomes.us

Designed by:
TYSON GREY
tyson@cedarridgehomes.us

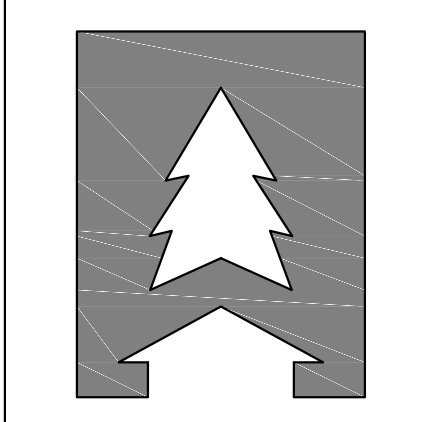
Plan Name	Washington
Date	10/24/2018
Location	Regan Hill Acres 3 Lot 60 Estacada, OR 97023

Total Sq Ft = 2,090

Framing Plan

Scale: 1/4" = 1'

This plan is property of:



CEDARRIDGE
H O M E S

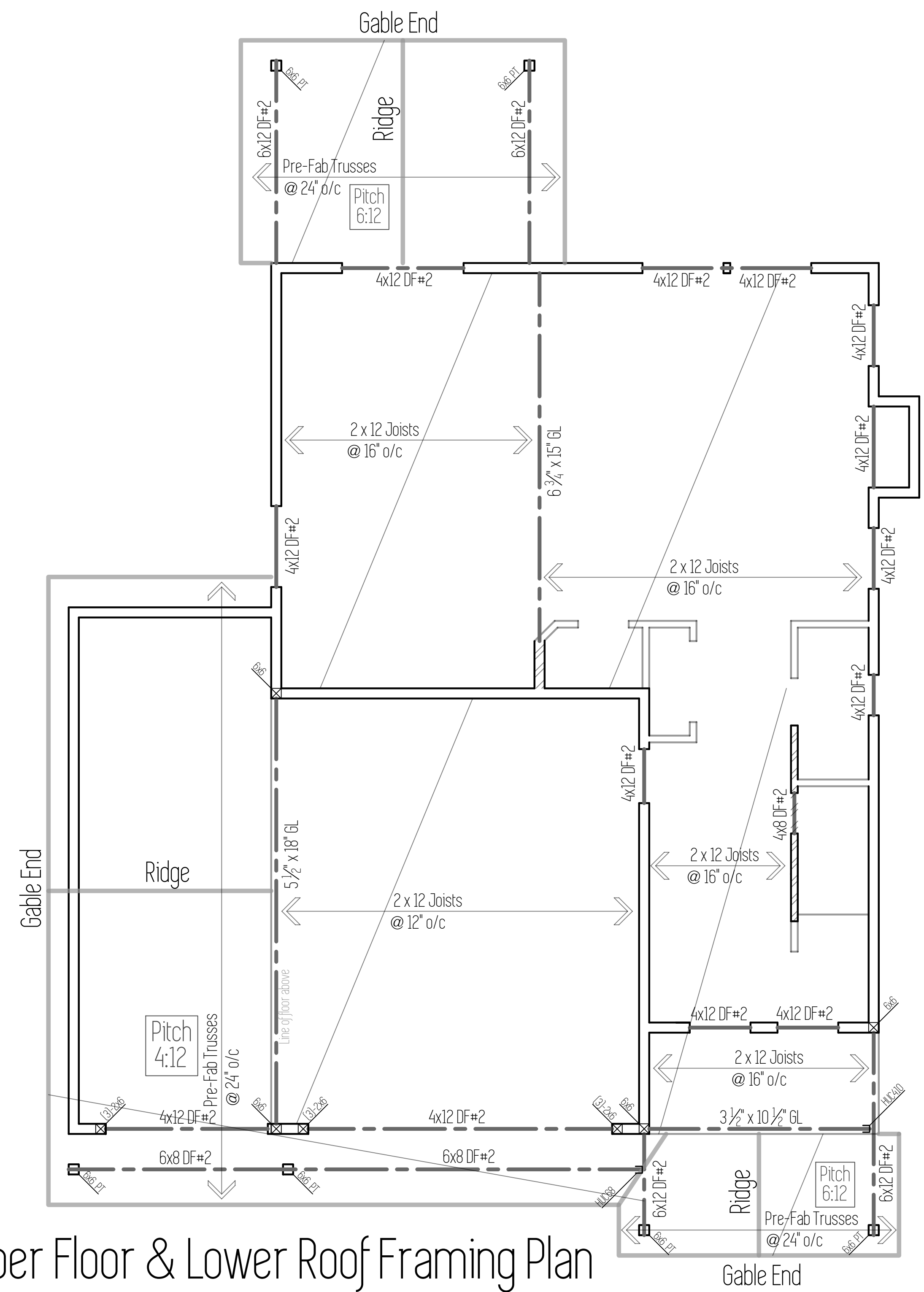
© 2018 Cedar Ridge Homes

(P) 503-666-4240
(F) 503-666-2408
www.cedarridgehomes.us

Designed by:

TYSON GREY
tyson@cedarridgehomes.us

4



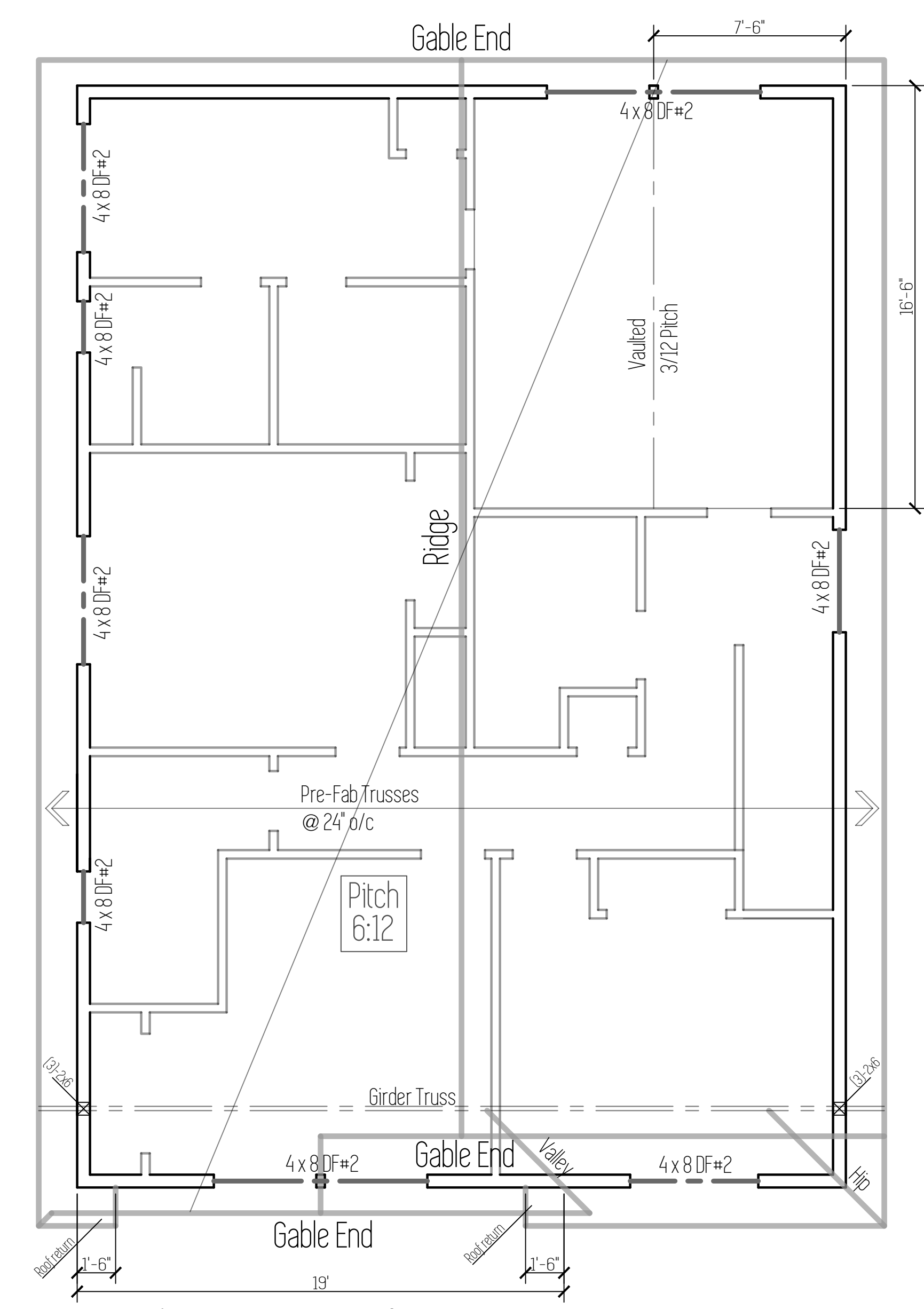
Upper Floor & Lower Roof Framing Plan

1. Refer to sheet S1.0 for details on Shear Panels and Strapping.
2. Exterior Headers to be 4x12 DF#2 (max. span 5') U.N.O.
3. Interior Headers to be 4x8 DF#2 (max. span 4') U.N.O.
4. Typical exterior wall post to be (2)-2x6 DF#2 (bundled stud), fasten each stud together w/16d nails @ 12" o/c, typ. entire length of stud, u.n.o. Typical interior wall post to be (2)-2x4 DF#2 (bundled stud), fasten each stud together w/16d nails @ 12" o/c, typ. entire length of stud, u.n.o.
5. Exterior post caps to be Simpson "PC" or "EPC", if exposed condition coat per manufacture's specs with exterior exposed and P.T. material.

Interior Bearing Wall

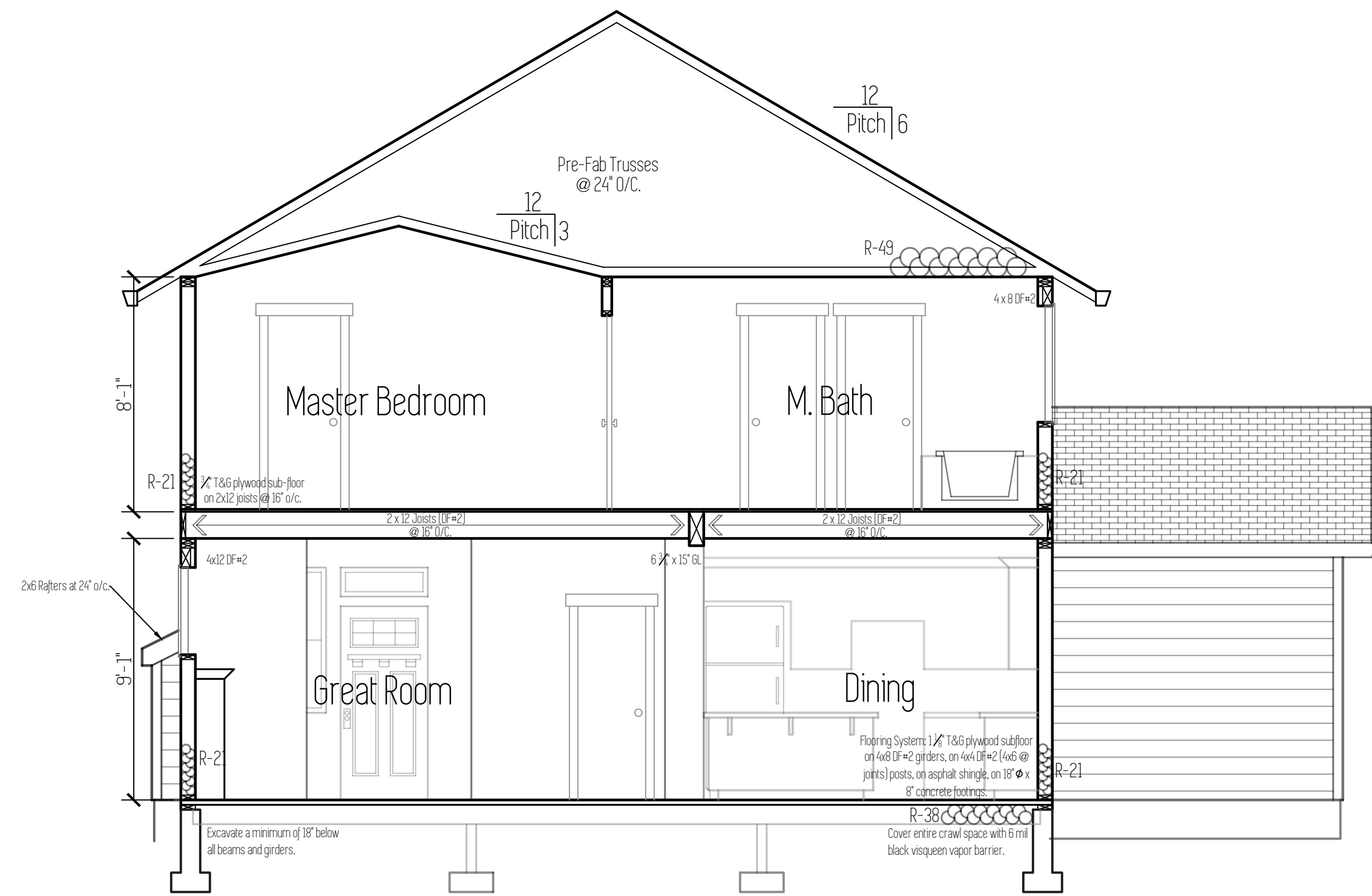
Roofing Notes

- 18" overhang on all eaves.
- 12" overhang on all gable ends.
- Install roof vents along ridge @ 4' o.c.

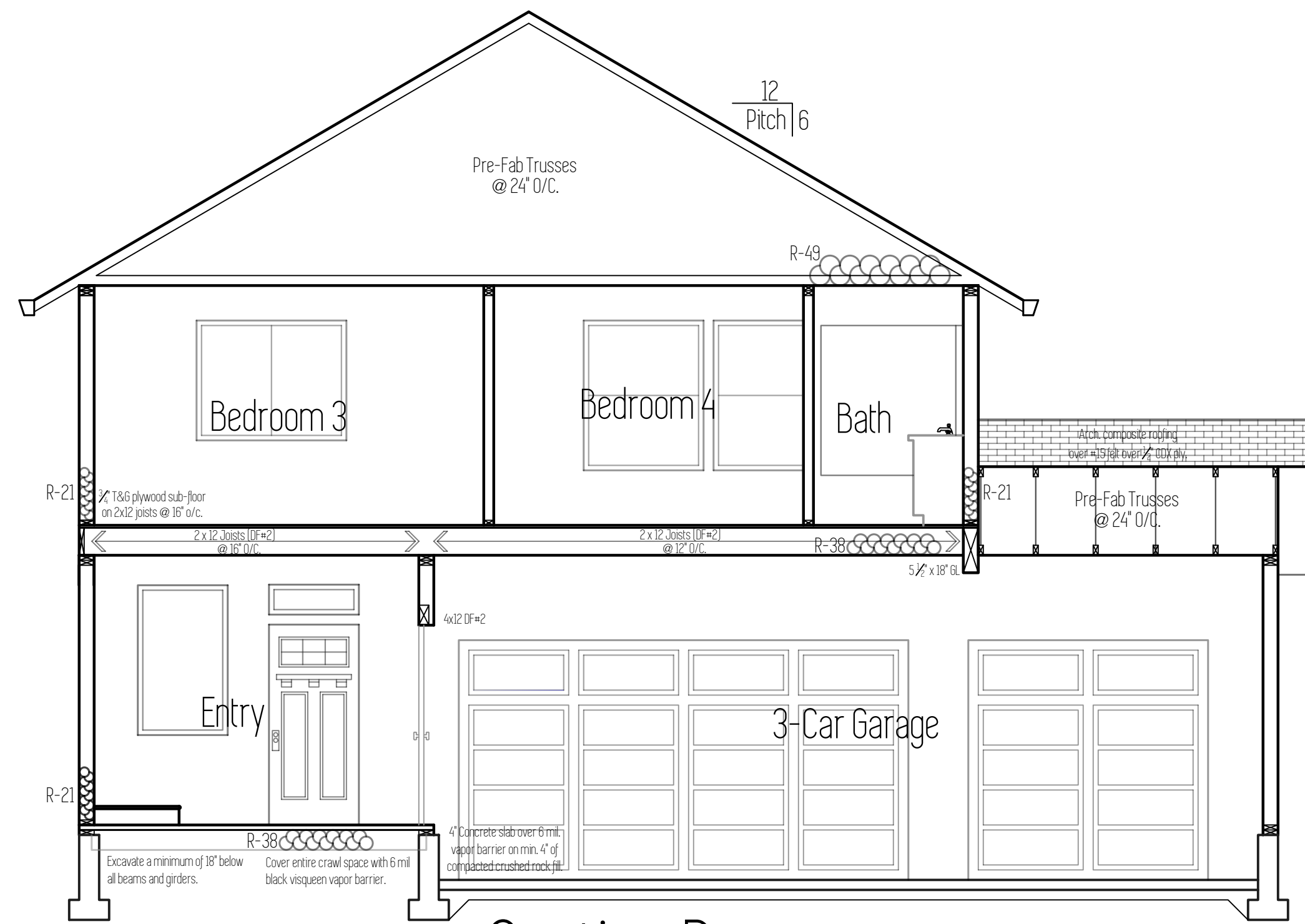


Roof Framing Plan

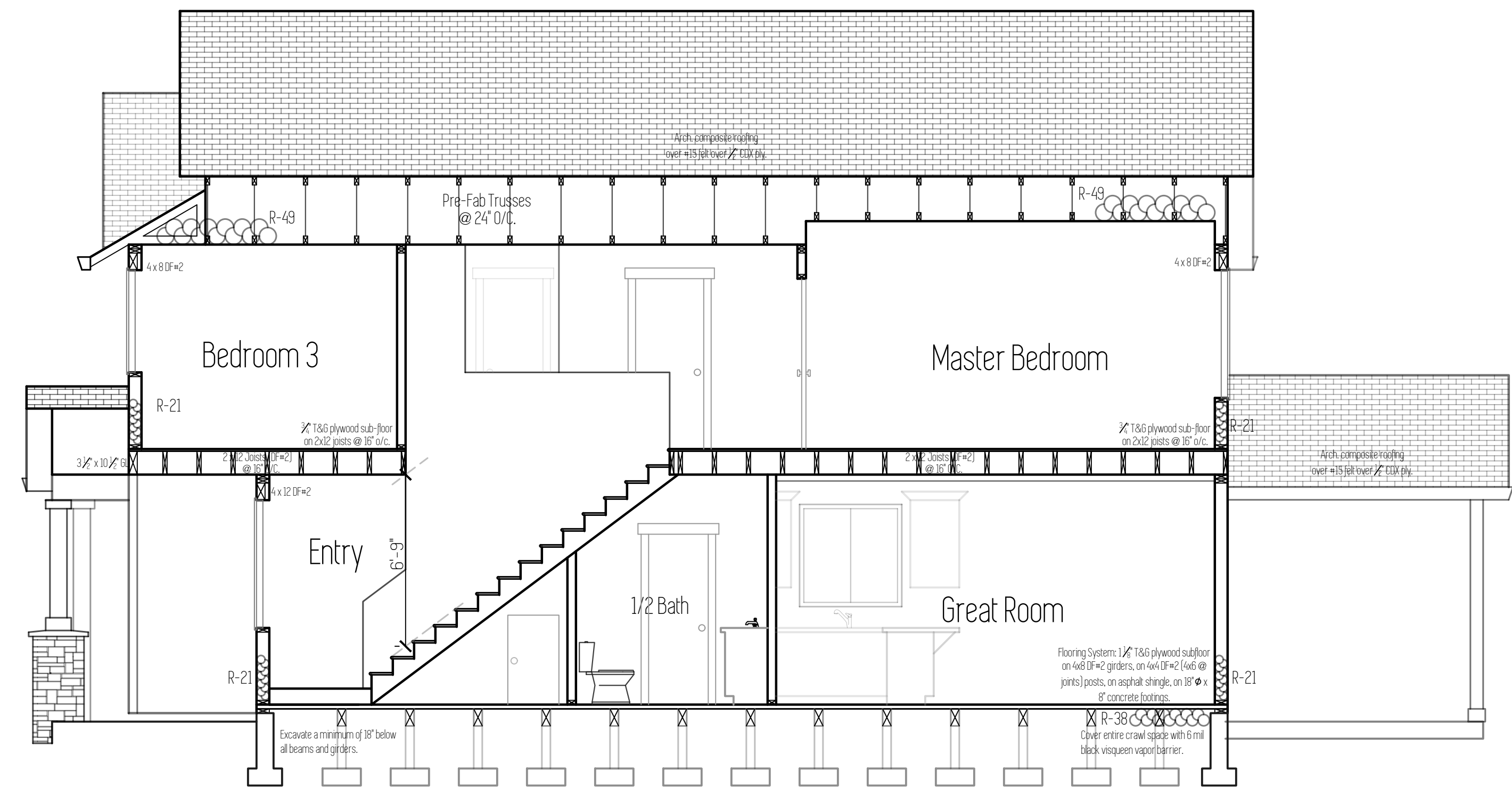
1. Refer to sheet S1.0 for details on Shear Panels and Strapping.
2. Exterior Headers to be 4x8 DF#2 (max. span 6') U.N.O.
3. Interior Headers to be 4x8 DF#2 (max. span 4') U.N.O.
4. Typical exterior wall post to be (2)-2x6 DF#2 (bundled stud), fasten each stud together w/16d nails @ 12" o/c, typ. entire length of stud, u.n.o. Typical interior wall post to be (2)-2x4 DF#2 (bundled stud), fasten each stud together w/16d nails @ 12" o/c, typ. entire length of stud, u.n.o.
5. Exterior post caps to be Simpson "PC" or "EPC", if exposed condition coat per manufacture's specs with exterior exposed and P.T. material.



Section A



Section B



Section C

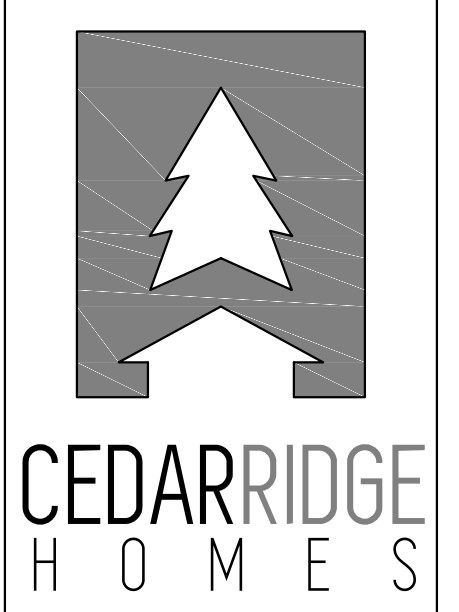
Plan Name	Washington
Date	10/24/2018
Location	Regan Hill Acres 3 Lot 60 Estacada, OR 97023

Total Sq Ft = 2,090

Sections

Scale: 1/4" = 1'

This plan is property of:



© 2018 Cedar Ridge Homes
(P) 503-666-4240
(F) 503-666-2408
www.cedarridgehomes.us

Designed by:
TYSON GREY
tyson@cedarridgehomes.us

SUMMARY OF WORK:

LOCATION: REGAN HILLS LOT 60 112 NE OVERLOOK CT. ESTACADA, OREGON 97023
STRUCTURAL ANALYSIS AND DESIGN FOR SINGLE FAMILY RESIDENCE

DESIGN LOADS:

CODE: 2014 OSSC
USE OR OCCUPANCY OF BUILDINGS AND STRUCTURES RISK CATEGORY (ASCE TABLE 1.5-1): II
WIND SPEED Vult: 120 MPH EXPOSURE 'B', V_{asd} = 93 MPH (OSSC EQUATION 16-33)
SEISMIC DESIGN CATEGORY: 'D'
GROUND SNOW LOAD: 25 PSF (ROOF SNOW LOAD: 25 PSF)
ROOF DEAD LOAD: 15 PSF
FLOOR LIVE LOAD: 40 PSF
FLOOR DEAD LOAD: 10 PSF
SOIL BEARING PRESSURE: 1500 PSF
SOIL PASSIVE SOIL PRESSURE: 200 PSF

FRAMING REQUIREMENTS:

- WALL STUDS TO BE 2X6 DFL-#2 @ 16" O.C., TYPICAL U.N.O.
- ROOF SHEATHING TO BE 1/2" APA RATED CDX SHEATHING OR OSB. INSTALL PANELS HORIZONTALLY. SPACE 8d NAILS MAXIMUM 6" O.C. ALONG PANEL EDGES. FOR OTHER CONDITIONS, SPACE 8d NAILS MAXIMUM 12" O.C. ON INTERMEDIATE SUPPORTS.
- TYPICAL WALL SHEATHING (TSN) TO BE 1/2" APA RATED CDX SHEATHING OR OSB. ALL PANEL EDGES TO BE BACKED WITH 2-INCH NOMINAL OR WIDER FRAMING. INSTALL PANELS HORIZONTALLY OR VERTICALLY. SPACE 8d NAILS MAXIMUM 6" O.C. ALONG PANEL EDGES. FOR OTHER CONDITIONS AND PANEL THICKNESSES, SPACE 8d NAILS MAXIMUM 12" O.C. ON INTERMEDIATE SUPPORTS.
- FLOOR SHEATHING TO BE 1/2" APA RATED CDX SHEATHING OR OSB. SPACE 8d NAILS MAXIMUM 6" O.C. ALONG PANEL EDGES. FOR OTHER CONDITIONS, SPACE 8d NAILS MAXIMUM 12" O.C. ON INTERMEDIATE SUPPORTS.
- SILL PLATE TO BE 2X P.T. U.N.O. (REFER TO SILL BOLT SPACING IN SCHEDULE BELOW).
- FOR NAIL SIZES REFER TO BELOW.

SHEAR WALL SCHEDULE

PANEL NOTATION	SHEATHING THICKNESS (IN.)	NAILS/SPACING	DBL. STUD CONN. (FACE NAIL)	SILL BOLT ⁽⁶⁾ SPACING	SHEAR CAPACITY (SEISMIC)	SHEAR CAPACITY (WIND)
D6	1 5/32" ⁽⁸⁾	8d @ 6" O/C	16d @ 9" O/C	1/2" Ø @ 36" O/C	260 PLF	365 PLF
D4	1 5/32" ⁽⁸⁾	8d @ 4" O/C	16d @ 6" O/C	1/2" Ø @ 24" O/C	380 PLF	532 PLF
D3	1 5/32" ⁽⁸⁾	8d @ 3" O/C	16d @ 4" O/C	1/2" Ø @ 18" O/C	490 PLF	685 PLF
D2	1 5/32" ⁽⁸⁾	8d @ 2" O/C	16d @ 3" O/C	1/2" Ø @ 16" O/C	640 PLF	895 PLF
E2	1 5/32" ⁽⁸⁾	10d @ 2" O/C	N/A	1/2" Ø @ 14" O/C	770 PLF	1077 PLF

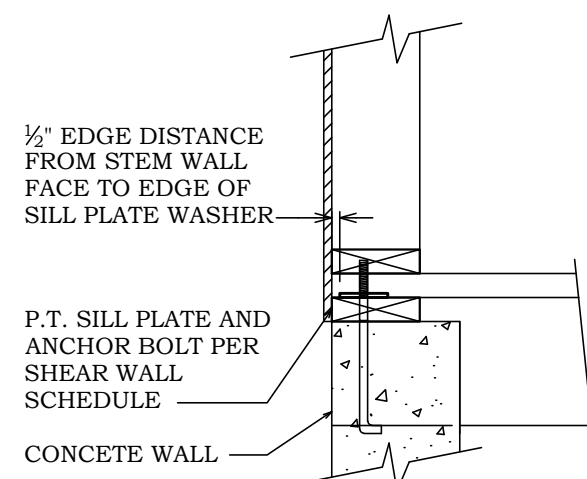
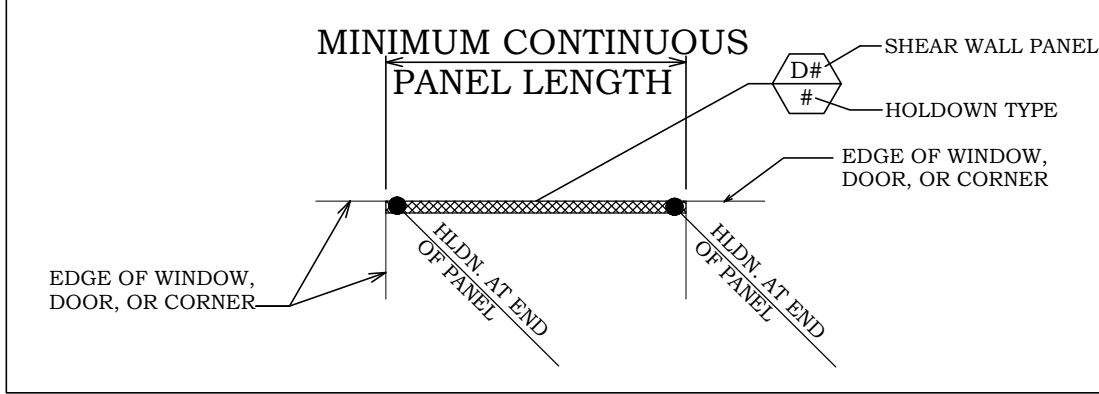
NOTES:
(1) SHEATHING TO BE APA RATED SHEATHING OR OSB (GRADE C-C OR C-D STRUCTURAL II OR BETTER).
(2) ALL PANEL EDGES TO BE BACKED WITH 2-INCH NOMINAL OR WIDER FRAMING (DFL-#2). INSTALL PANELS EITHER HORIZONTALLY OR VERTICALLY. SPACE NAILS MAXIMUM 6" O.C. ALONG PANEL EDGES FOR STUDS SPACED 24" O.C. FOR OTHER CONDITIONS AND PANEL THICKNESSES, SPACE NAILS MAXIMUM 12" O.C. ON INTERMEDIATE SUPPORTS.
(3) FRAMING AT ADJOINING PANEL EDGES SHALL BE A SINGLE 3" NOMINAL MEMBER OR 2 2-INCH NOMINAL MEMBERS FASTENED TOGETHER WITH 16d NAILS (SPACING ABOVE) TYPICAL ENTIRE HEIGHT OF DBL. STUD. NAILS SHALL BE STAGGERED WHERE NAILS ARE SPACED 2" O.C.
(4) AT SHEAR WALL LOCATIONS, HESB/51 AND FF/51 FOR ROOF TO WALL AND FLOOR TO FLOOR FRAMING.
(5) INSTALL 3" SQUARE X 1/2" STEEL PLATE WASHER.
(6) FRAMING AT ADJOINING PANEL EDGES SHALL BE SINGLE 3X NOMINAL FRAMING MEMBERS AT EACH END OF THE PANEL. NAILS SHALL BE STAGGERED WHERE NAILS ARE SPACED 2" O.C. INSTALL MIN. 2X P.T. SILL PLATE, U.N.O.
(7) GALVANIZED NAILS SHALL BE HOT-DIPPED OR TUMBLER.
(8) 1/2" NOMINAL THICK PLYWOOD OR OSB IS USED, STUDS TO BE SPACED AT 1'-4" O.C. TYPICAL.

HOLD-DOWN SCHEDULE

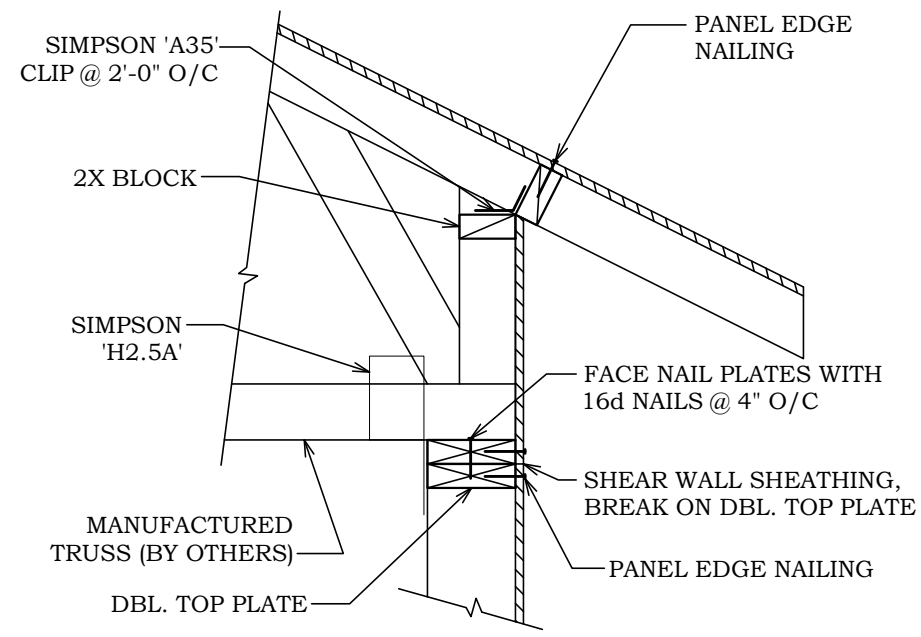
HOLDOWN NOTATION	'SIMPSON' HOLDOWN TYPE	INSTALLATION INSTRUCTIONS
2	HDU2 (3075#)	STD. 'SB 1/2" X 24" MIN. 18" EMBEDMENT (6) CONCRETE. ANCHOR TO BE INSTALLED PLUMB AND LOCATED ALONG CENTER LINE OF (2)X6 DFL-#2 WALL STUDS (MIN. 2X" EDGE DISTANCE). FASTEN STUDS TOGETHER WITH 16d NAILS @ 6" O/C ENTIRE HEIGHT OF STUD. INSTALL HOLDOWN PER MANUFACTURER'S SPECIFICATIONS.
4	HDU4 (4565#)	STD. 'SB 1/2" X 24" MIN. 18" EMBEDMENT (6) CONCRETE. ANCHOR TO BE INSTALLED PLUMB AND LOCATED ALONG CENTER LINE OF (2)X6 DFL-#2 WALL STUDS (MIN. 2X" EDGE DISTANCE). FASTEN STUDS TOGETHER WITH 16d NAILS @ 6" O/C ENTIRE HEIGHT OF STUD. INSTALL HOLDOWN PER MANUFACTURER'S SPECIFICATIONS.
5	HDU5 (5645#)	STD. 'SB 1/2" X 24" MIN. 18" EMBEDMENT (6) CONCRETE. ANCHOR TO BE INSTALLED PLUMB AND LOCATED ALONG CENTER LINE OF (2)X6 DFL-#2 WALL STUDS (MIN. 2X" EDGE DISTANCE). FASTEN STUDS TOGETHER WITH 16d NAILS @ 6" O/C ENTIRE HEIGHT OF STUD. INSTALL HOLDOWN PER MANUFACTURER'S SPECIFICATIONS.
8	HDU8 (5980#, 6970#, 7870#)	STD. 'SB 1/2" X 24" MIN. 18" EMBEDMENT (6) CONCRETE. ANCHOR TO BE INSTALLED PLUMB AND LOCATED ALONG CENTER LINE OF (2)X6 DFL-#2 WALL STUDS (MIN. 2X" EDGE DISTANCE). FASTEN STUDS TOGETHER WITH 16d NAILS @ 6" O/C ENTIRE HEIGHT OF STUD. INSTALL HOLDOWN PER MANUFACTURER'S SPECIFICATIONS.
28	MSTC28	INSTALL STRAP ACROSS FLOOR LINE. INSTALL MIN. (8) 16d NAILS INTO DOUBLE WALL STUDS ABOVE FLOOR AND INTO DOUBLE WALL STUDS BELOW. CENTER STRAP ON STUDS TO INSTALL NAILS INTO MIDDLE THIRD OF STUD.
40	MSTC40	INSTALL STRAP ACROSS FLOOR LINE. INSTALL MIN. (16) 16d NAILS INTO DOUBLE WALL STUDS ABOVE FLOOR AND INTO DOUBLE WALL STUDS BELOW. CENTER STRAP ON STUDS TO INSTALL NAILS INTO MIDDLE THIRD OF STUD.

NOTES:
(1) IN LIEU OF SIMPSON 'SSTF' BOLTS ANCHOR BOLTS TO BE A307 OR A36 THREADED ROD WITH STD. NUT AND 2" X 2" X 1/2" STEEL PLATE WASHER ON BOTTOM OF BOLT.
(2) HOLDOWNS TO BE FASTENED TO DOUBLE STUDS CONTINUOUS FROM SILL PLATE TO DOUBLE TOP PLATE AT PANEL ENDS. WAVE PANEL EDGE NAILING FROM SHEAR WALL SHEATHING.
(3) IF HOLDOWNS 2, 5, 6, AND 8 ARE INSTALLED FROM FLOOR TO FLOOR, REFER TO DETAIL FF/S1.
(4) U.N.O. INSTALL (1)-#4 CONTINUOUS HORIZONTAL TOP BAR 3" DOWN FROM TOP OF WALL AT ALL HOLDOWN ANCHORS. EXTEND BAR MIN. 5'-0" PAST HOLDOWN IN BOTH DIRECTIONS (BEND BAR AROUND AT CORNER CONDITION). FOR THIS 10'-0" SECTION INSTALL (1)-#4 VERTICAL BAR @ 24" O.C. THE HOLDOWN ANCHOR TO HORIZONTAL TOP BAR.

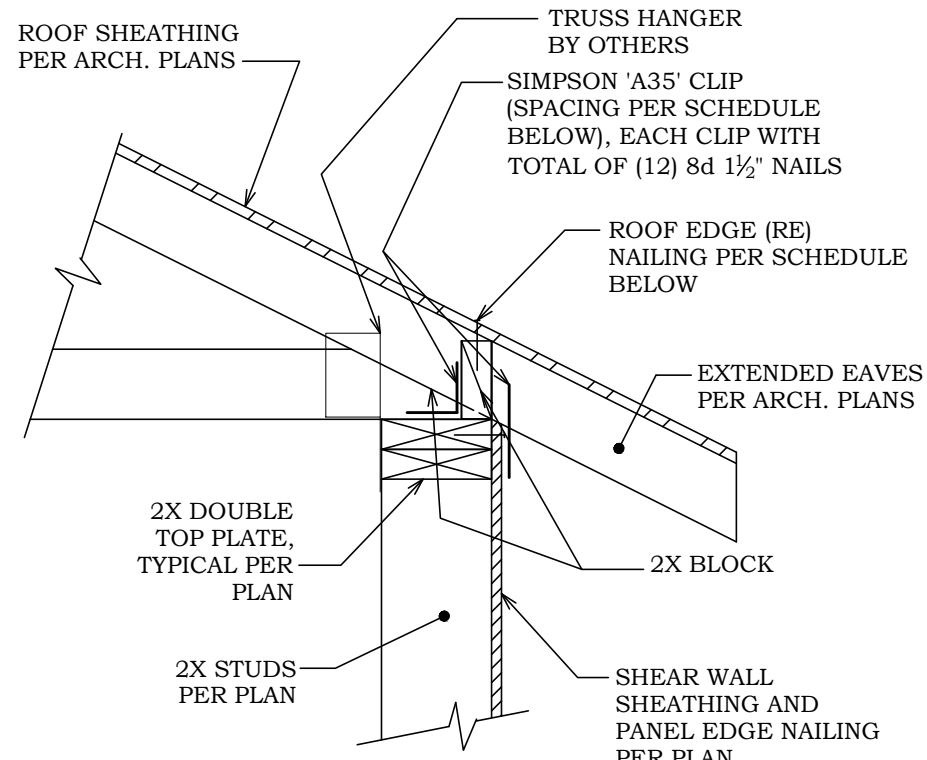
SHEAR WALL / HOLDOWN NOTATION DIAGRAM



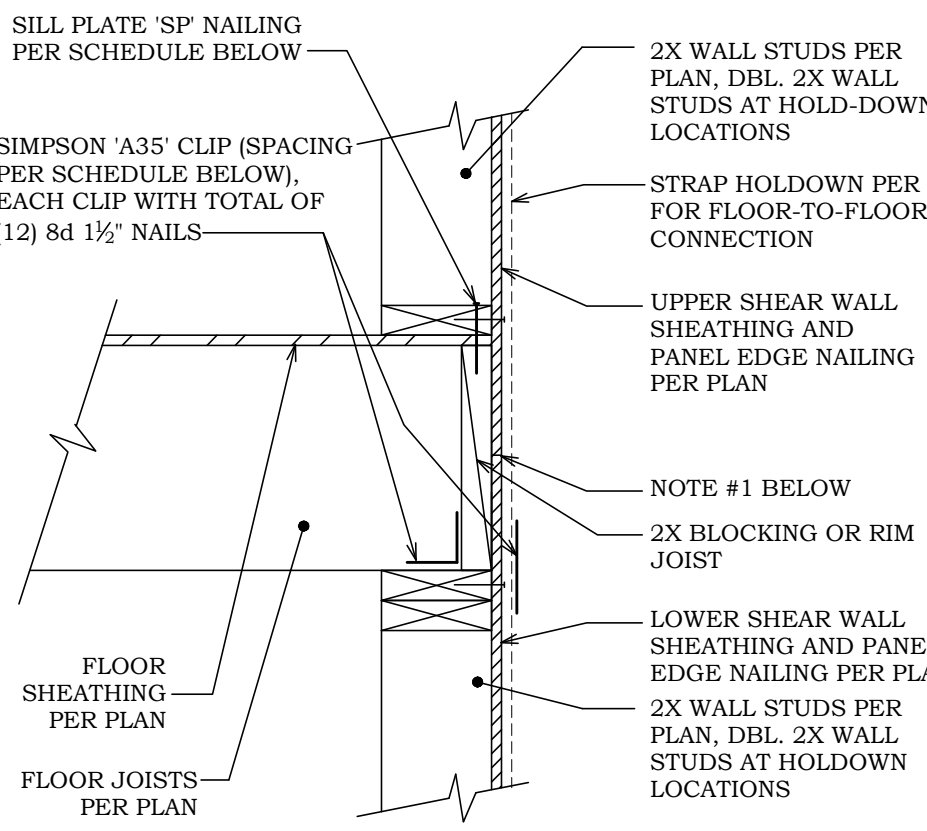
FSP FDN. SILL PLATE SECTION
S1



RW S1 ROOF TO SHEAR WALL SECTION
RAISED HEEL OPTION

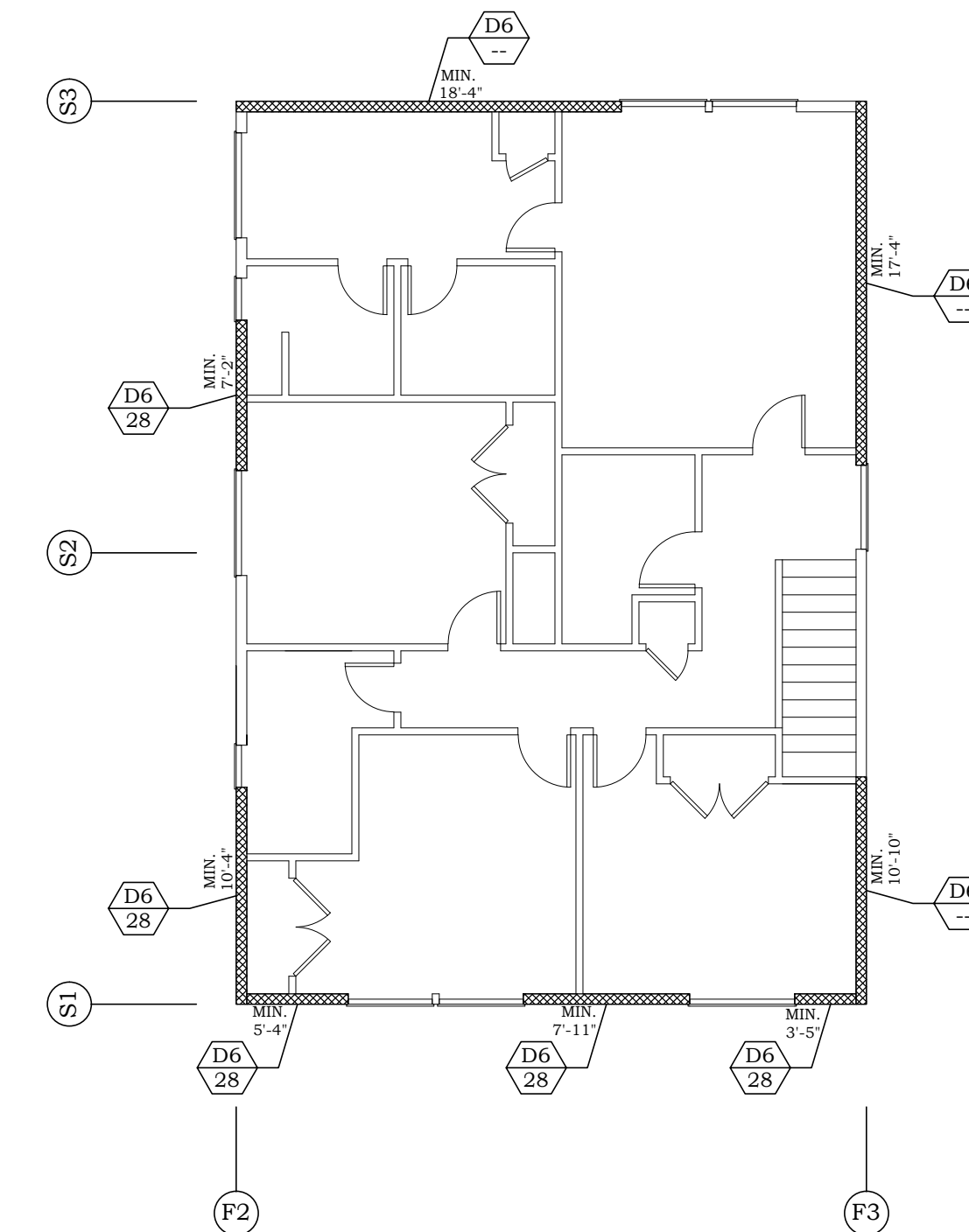


RW S1 ROOF TO SHEAR WALL SECTION



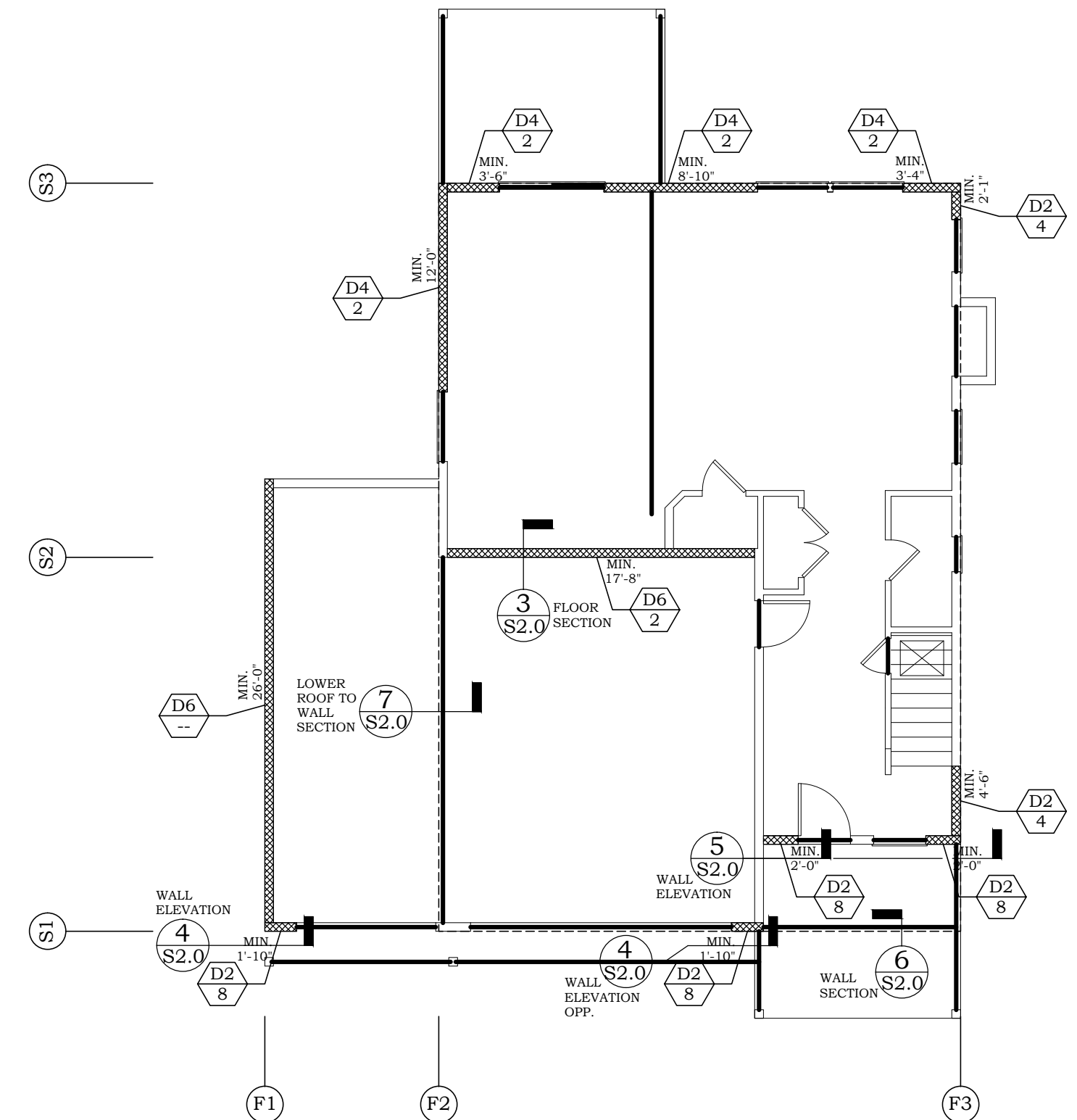
FF S1 FLOOR TO FLOOR SECTION AT SHEAR WALL

PANEL TYPE	'SP' NAIL SPACING	SIMPSON CLIP SPACING	'RE' NAIL SPACING
D6	16d @ 8" O.C.	1'-8" O.C.	8d @ 8" O.C.
D4	16d @ 4" O.C.	1'-2" O.C.	8d @ 4" O.C.
D3	16d @ 3" O.C.	0'-11" O.C.	8d @ 3" O.C.
D2	16d @ 3" O.C.	8" O.C.	8d @ 2 1/2" O.C.
E2	16d @ 2" O.C.	7" O.C.	8d @ 2" O.C.



UPPER FLOOR SHEARWALL PLAN

NOTE:
1. REFER TO FRAMING REQUIREMENTS FOR TYPICAL EXTERIOR SHEATHING AND NAILING, ROOF SHEATHING AND NAILING AND FLOOR SHEATHING AND NAILING REQUIREMENTS.



MAIN FLOOR SHEARWALL PLAN

NOTE:
1. REFER TO FRAMING REQUIREMENTS FOR TYPICAL EXTERIOR SHEATHING AND NAILING, ROOF SHEATHING AND NAILING AND FLOOR SHEATHING AND NAILING REQUIREMENTS.

PROJECT NAME

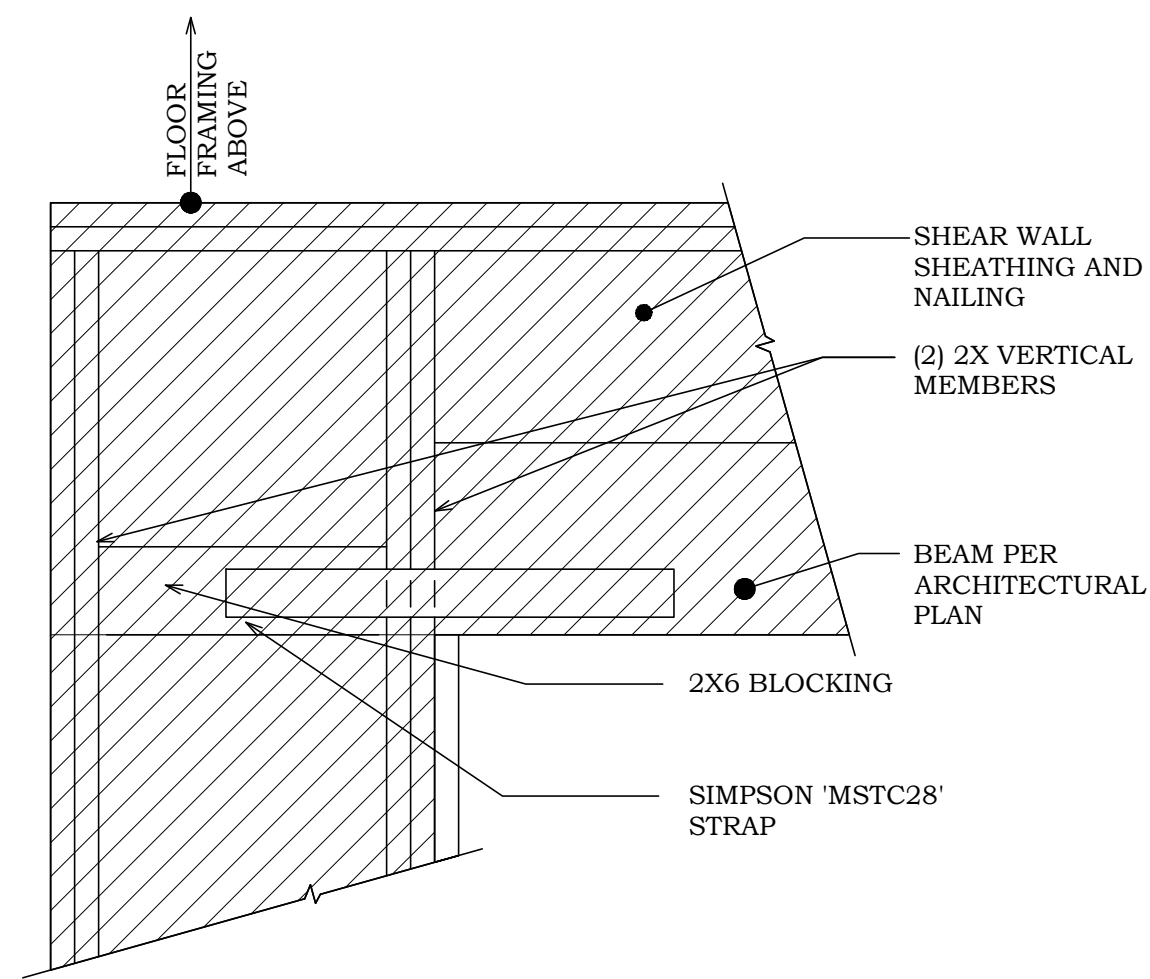
No.	DATE	DESCRIPTION

PROJECT NAME
RH 60 SHEAR WALL AND HOLDOWN SCHEDULE

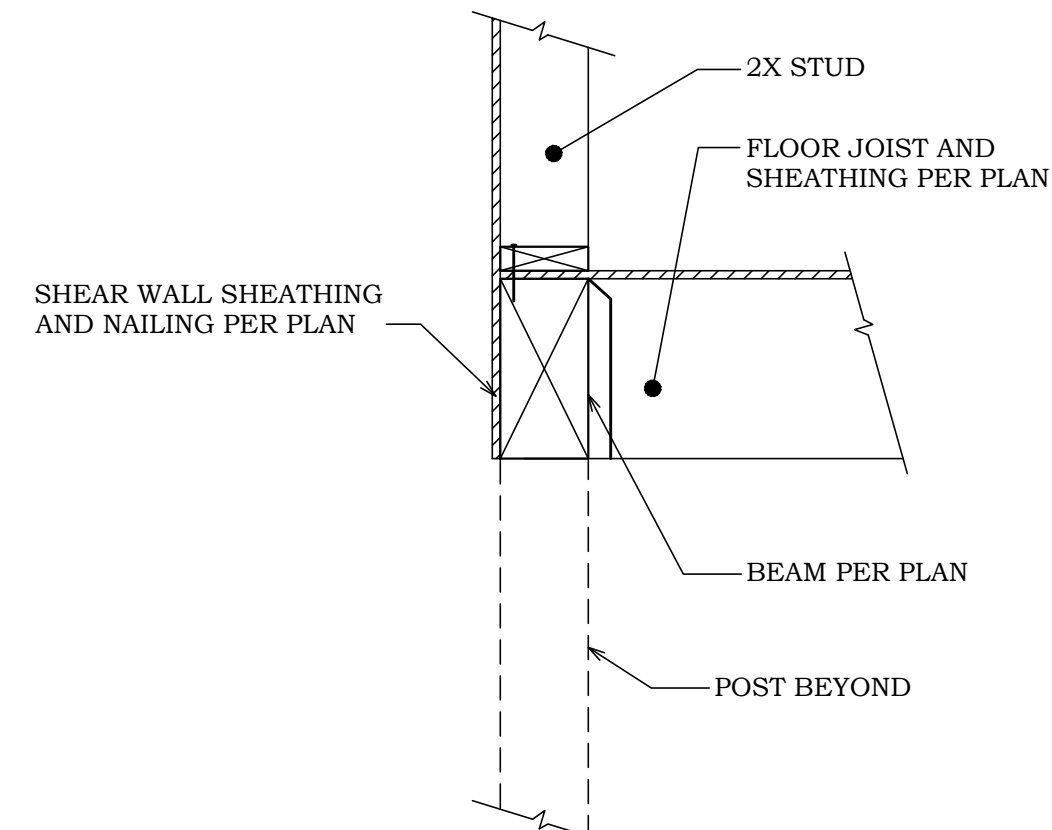
TURNER ENGINEERING & DESIGN
Office: (503) 633-9793, 979-8607
Email: turner.enr@gmail.com
PO BOX 230
EAGLE CREEK, OREGON 97022

ENGINEERS STAMP
REGISTERED PROFESSIONAL ENGINEER
58948PE
Richard J. Turner
JULY 15, 2006
OREGON
RICHARD J. TURNER

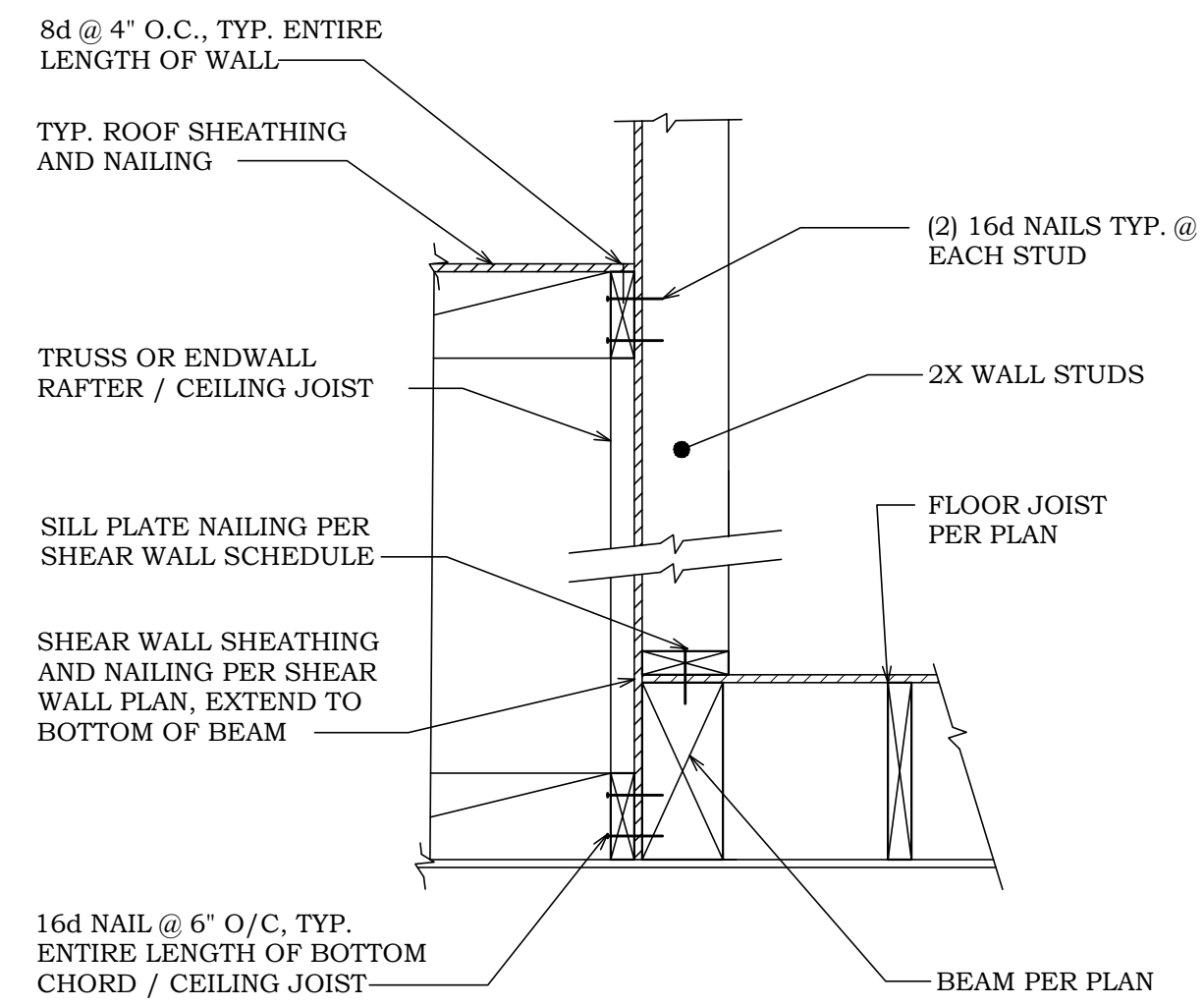
ISSUE	CD
DESIGNED BY	RJT
DRAWN BY	RJT
CHECKED BY	RJT
DATE	08/21/18
PROJECT NO.	R18302
SHEET NO.	S1.0



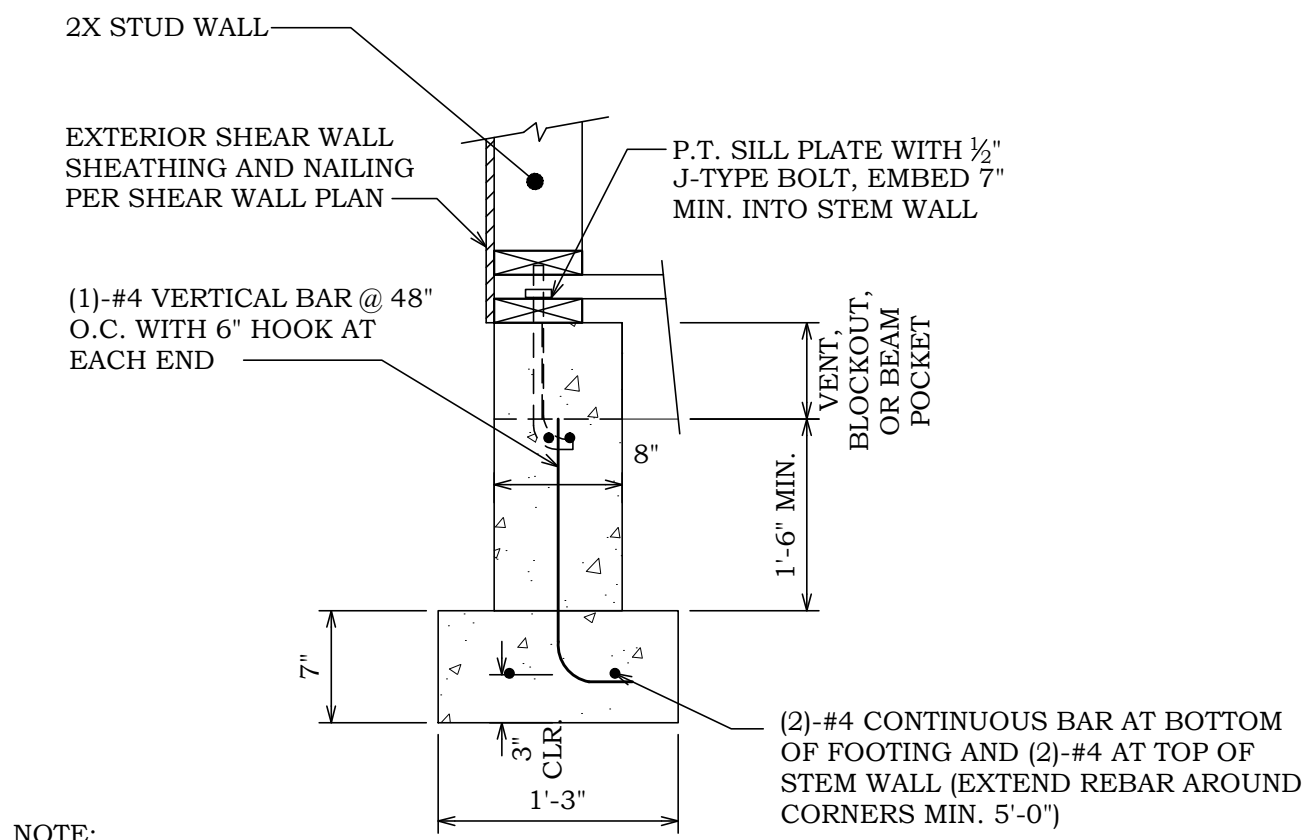
5 SHEAR WALL ELEVATION
S2.0 SCALE: NONE



6 WALL SECTION
S2.0 SCALE: 1" = 1'-0"

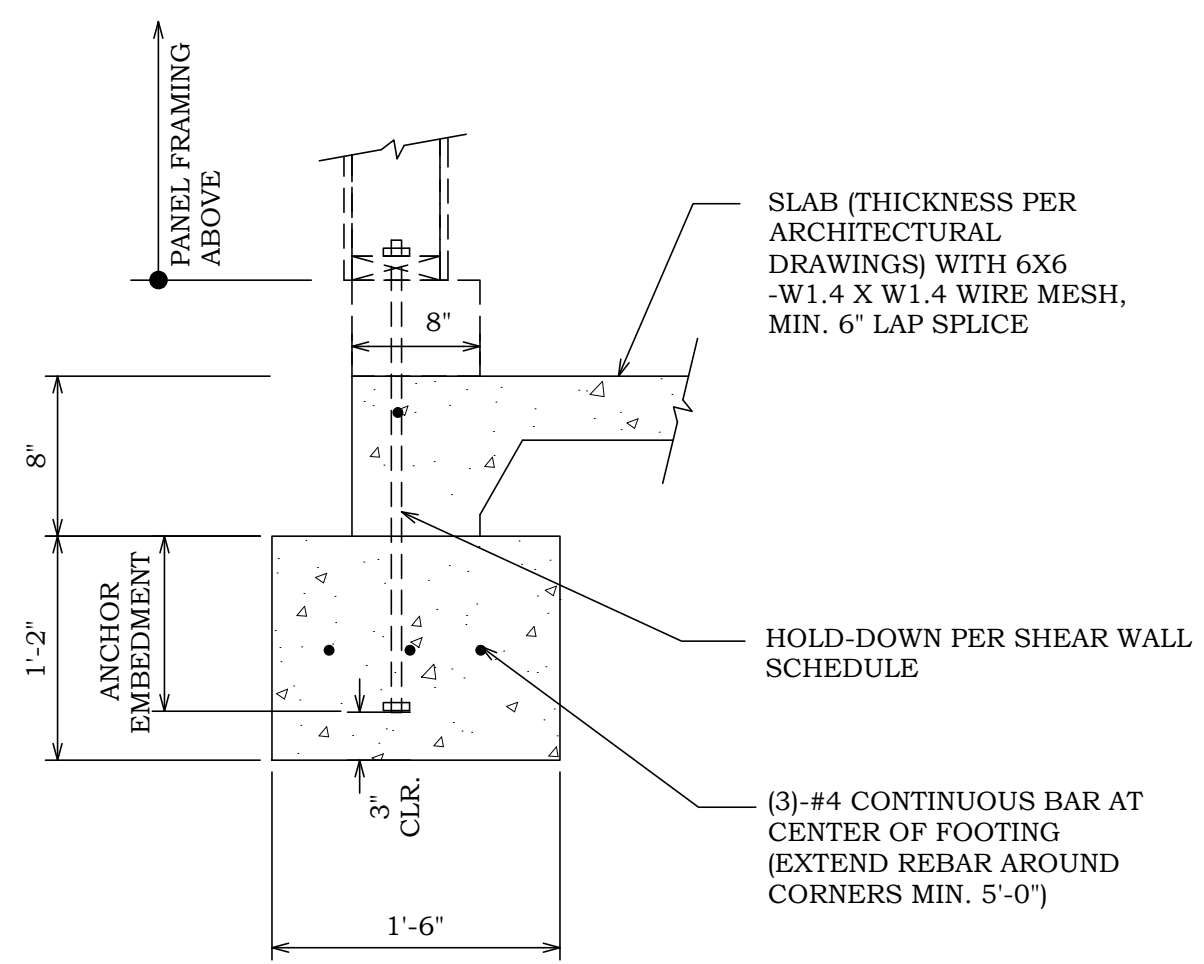


7 LOWER ROOF SECTION
S2.0 SCALE: 1" = 1'-0"



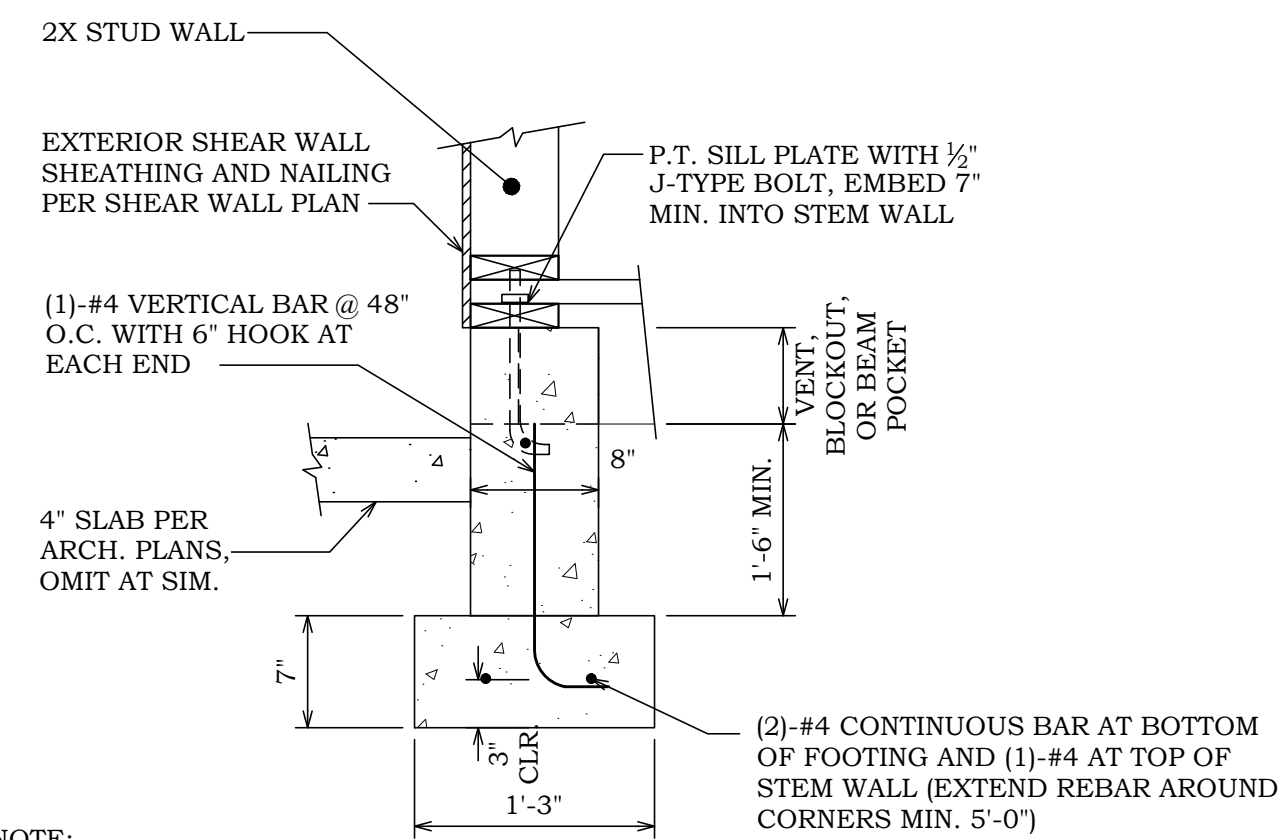
8 FOOTING SECTION
S2.0 SCALE: NONE

NOTE:
1. FOOTING TO BE PLACED ON UNDISTURBED NATIVE SOIL.
2. REFER TO SHEAR WALL SCHEDULE SILL BOLT SPACING AT SHEAR WALL LOCATIONS.



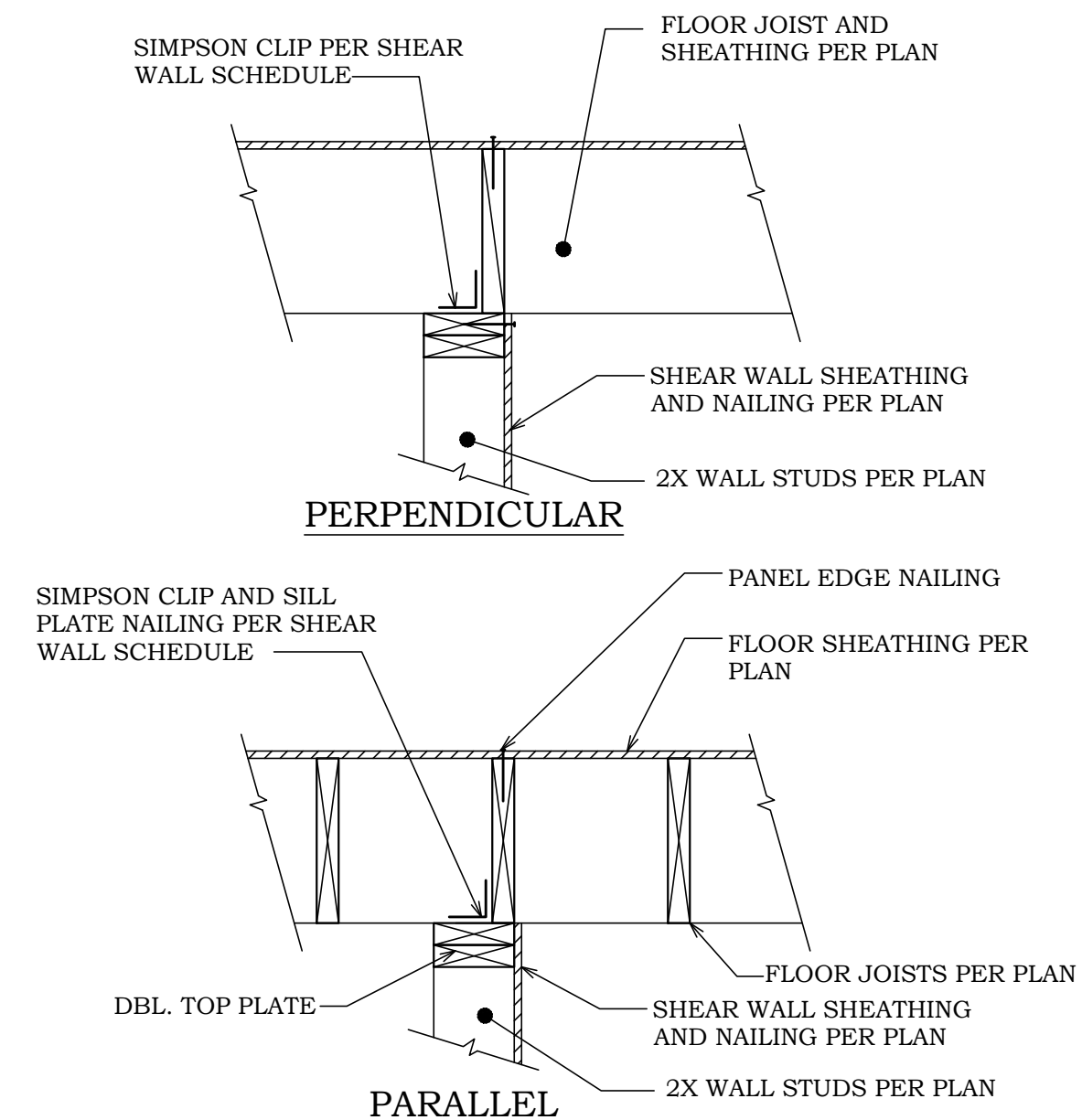
1 FOOTING SECTION
S2.0 SCALE: 1" = 1'-0"

NOTE:
1. FOOTING TO BE PLACED ON UNDISTURBED NATIVE SOIL.
2. DRIVEWAY SURFACE NOT SHOWN.

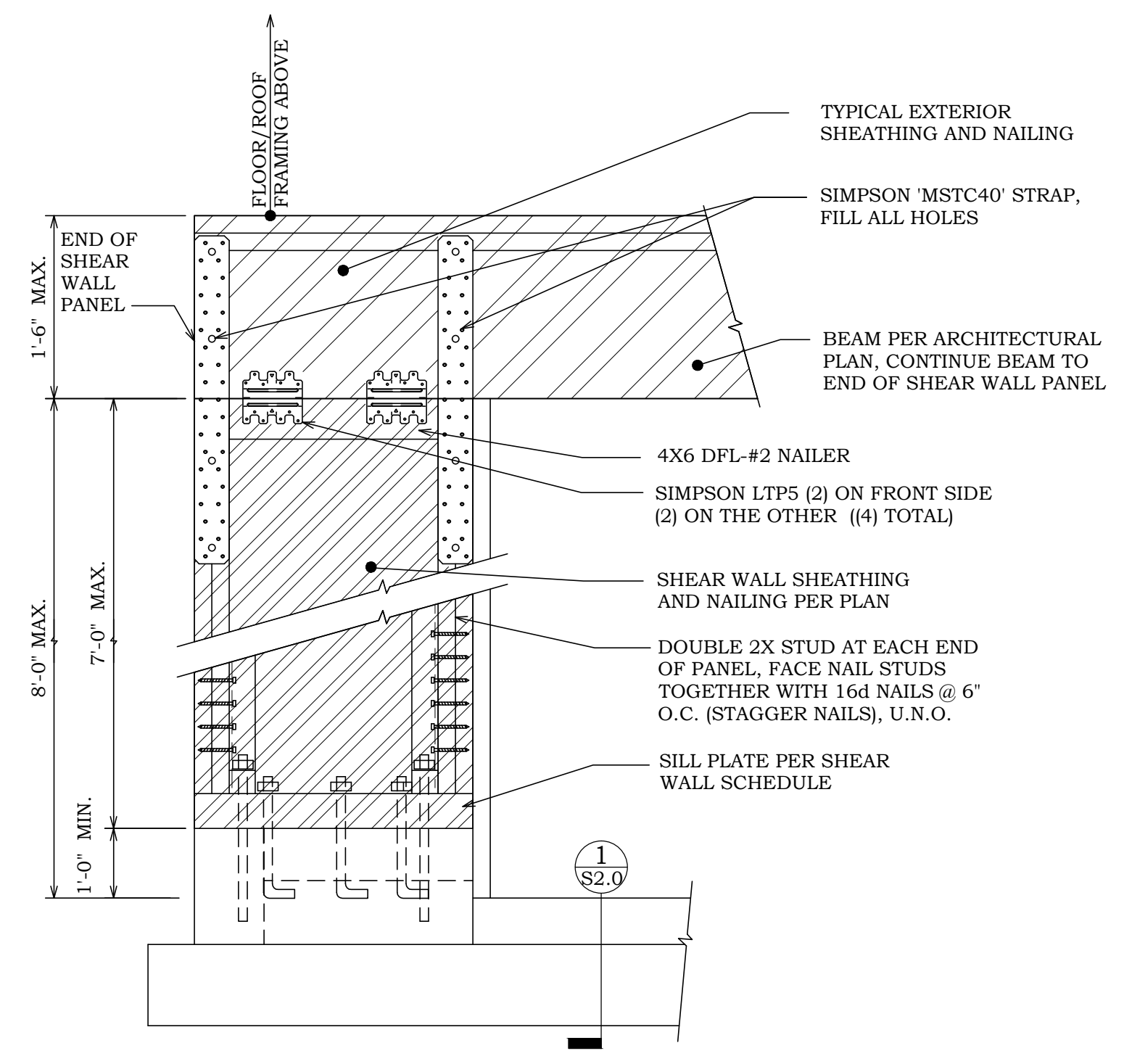


2 FOOTING SECTION
S2.0 SCALE: NONE

NOTE:
1. FOOTING TO BE PLACED ON UNDISTURBED NATIVE SOIL.
2. REFER TO SHEAR WALL SCHEDULE SILL BOLT SPACING AT SHEAR WALL LOCATIONS.



3 FLOOR SECTION
S2.0 SCALE: NONE



4 PORTAL FRAME ELEVATION
S2.0 SCALE: NONE

No. DATE DESCRIPTION

PROJECT NAME

RH 60
STRUCTURAL DETAILS

TURNER
ENGINEERING & DESIGN
Office: (503) 633-9793-8407
Email: turner.team@turner.com
PO BOX 220
EAGLE CREEK, OREGON 97022

ENGINEERS STAMP

REGISTERED PROFESSIONAL
ENGINEER
58949PE
Richard J. Turner
OREGON
JULY 15, 2008
RICHARD J. TURNER

EXP. DATE: 06-30-20

ISSUE

CD

DESIGNED BY

RJT

DRAWN BY

RJT

CHECKED BY

RJT

DATE

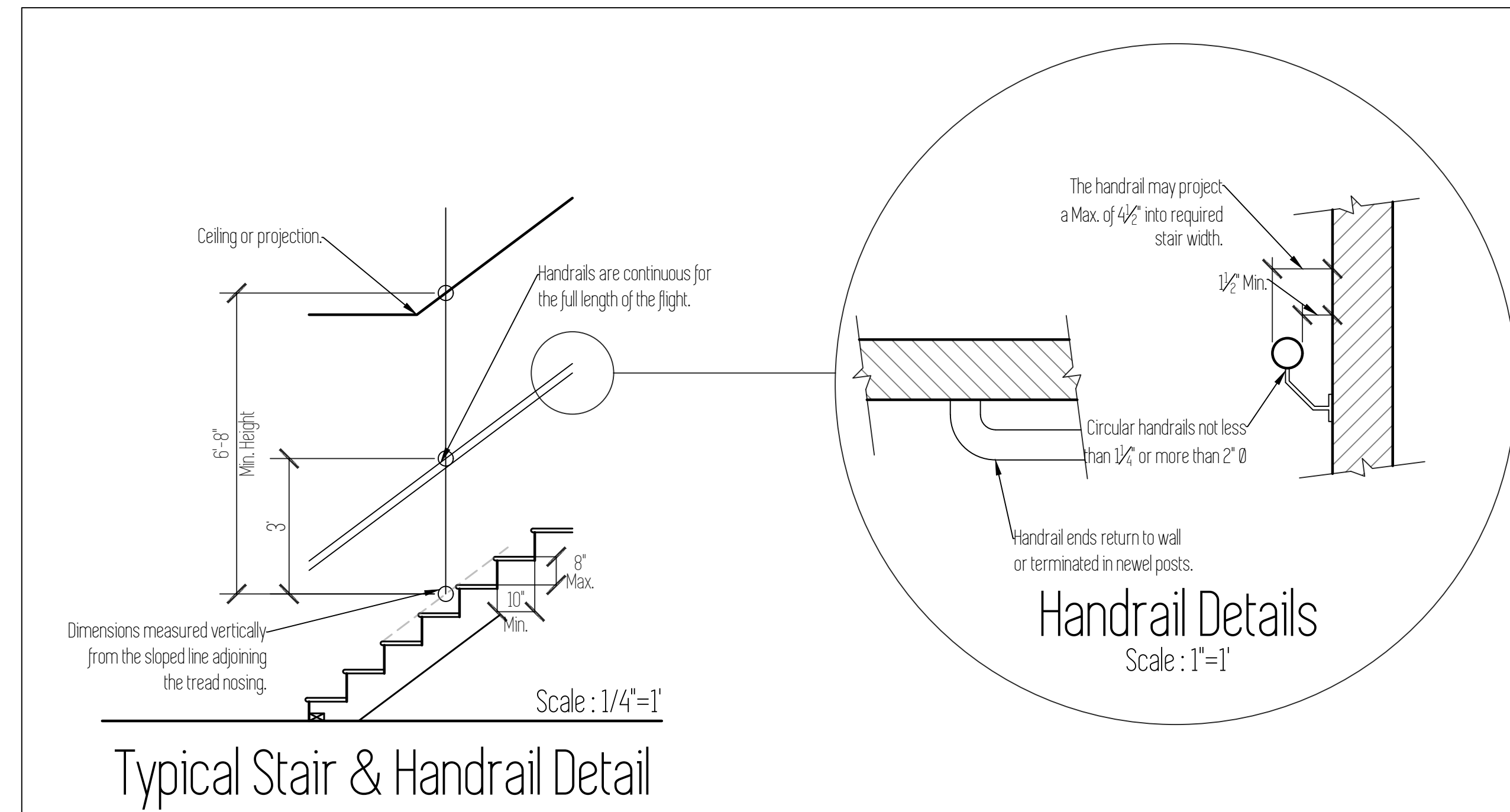
08/21/18

PROJECT NO.

R18302

SHEET NO.

S2.0



NOTES

TABLE N1101.1(2)
ADDITIONAL MEASURES

Envelope Enhancement Measures (Select One)	
1	High efficiency walls Exterior walls—U-0.045/R-21 cavity insulation + R-5 continuous
2	Upgraded features Exterior walls—U-0.057/R-23 intermediate or R-21 advanced, Framed floors—U-0.026/R-38, and Windows—U-0.28 (average UA)
3	Upgraded features Exterior walls—U-0.055/R-23 intermediate or R-21 advanced, Flat ceiling ^c —U-0.017/R-60, and Framed floors—U-0.026/R-38
4	Super Insulated Windows and Attic OR Framed Floors Windows—U-0.22 (Triple Pane Low-e), and Flat ceiling ^c —U-0.017/R-60 or Framed floors—U-0.026/R-38
5	Air sealing home and ducts Mandatory air sealing of all wall coverings at top plate and air sealing checklist ^f , and Mechanical whole-building ventilation system with rates meeting M1503 or ASHRAE 62.2, and All ducts and air handlers contained within building envelope ^d or All ducts sealed with mastic ^g
6	High efficiency thermal envelope UA⁹ Proposed UA is 8% lower than the code UA
Conservation Measure (Select One)	
A	High efficiency HVAC system³ Gas-fired furnace or boiler AFUE 94%, or Air source heat pump HSPF 9.5/15.0 SEER cooling, or Ground source heat pump COP 3.5 or Energy Star rated
B	Ducted HVAC systems within conditioned space All ducts and air handlers contained within building envelope ^d <i>Cannot be combined with Measure 5</i>
C	Ductless heat pump Ductless heat pump HSPF 10.0 in primary zone of dwelling
D	High efficiency water heater² Natural gas/propane water heater with UEF 0.85 OR Electric heat pump water heater Tier 1 Northern Climate Specification Product

For SI: 1 square foot = 0.093 m², 1 watt per square foot = 10.8 W/m².

a. Appliances located within the building thermal envelope shall have sealed combustion air installed. Combustion air shall be ducted directly from the outdoors.

b. All duct joints and seams sealed with listed mastic; tape is only allowed at appliance or equipment connections (for service and replacement). Meet sealing criteria of Performance Tested Comfort Systems program administered by the Bonneville Power Administration (BPA).

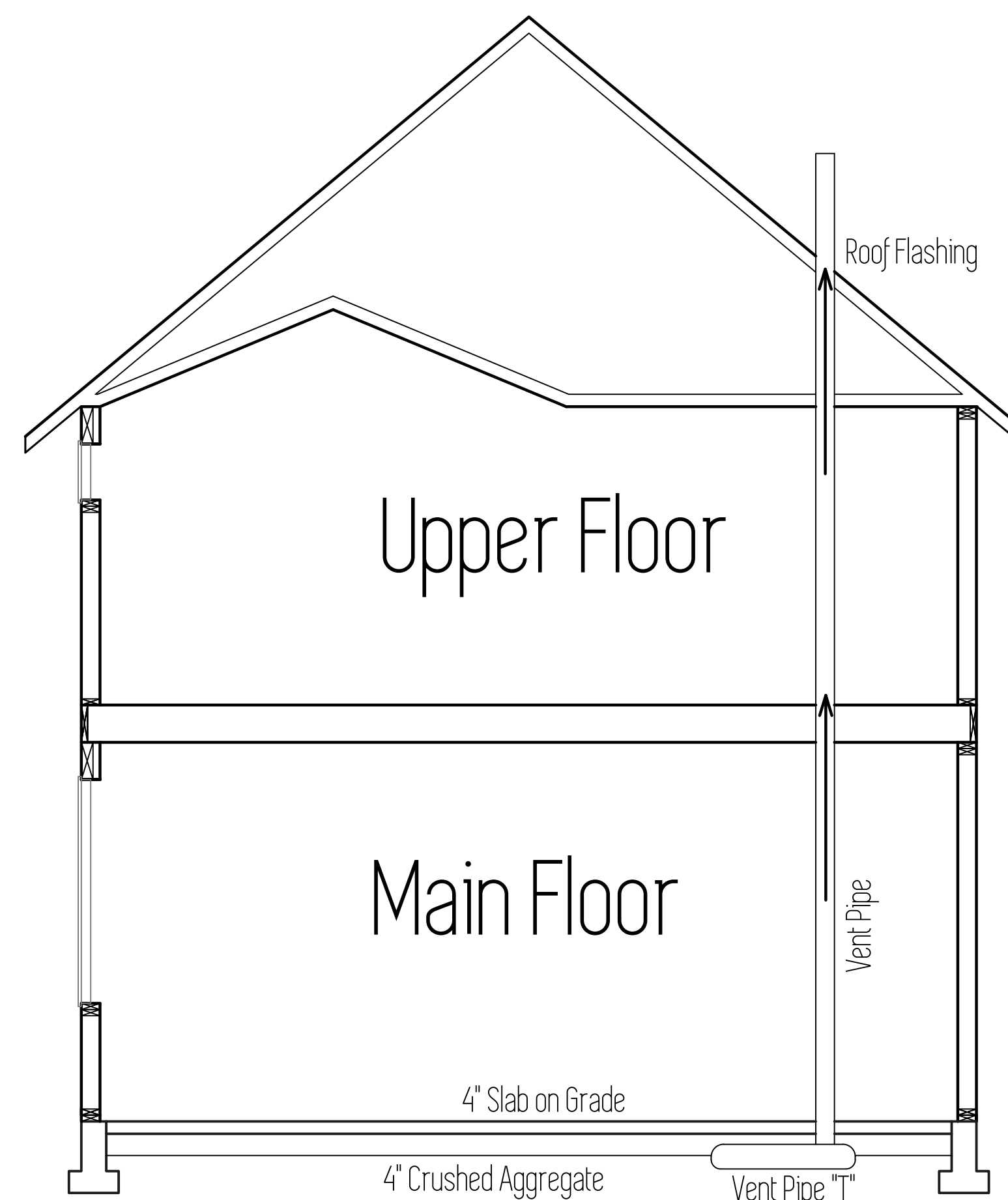
c. Residential water heaters less than 55 gallon storage volume.

d. A total of 5 percent of an HVAC system's ductwork shall be permitted to be located outside of the conditioned space. Ducts located outside the conditioned space shall have insulation installed as required in this code.

e. The maximum vaulted ceiling surface area shall not be greater than 50 percent of the total heated space floor area unless vaulted area has a U-factor no greater than U-0.026.

f. Continuous air barrier. Additional requirement for sealing of all interior vertical wall covering to top plate framing. Sealing with foam gasket, caulk or other approved sealant listed for sealing wall covering material to structural material (example: gypsum board to wood stud framing).

g. Table N1104.1(1) Standard base case design, Code UA shall be at least 8 percent less than the Proposed UA. Buildings with fenestration less than 15 percent of the total vertical wall area may adjust the Code UA to have 15 percent of the wall area as fenestration.



Radon Passive System

AF 103.6 Passive subslab depressurization system.

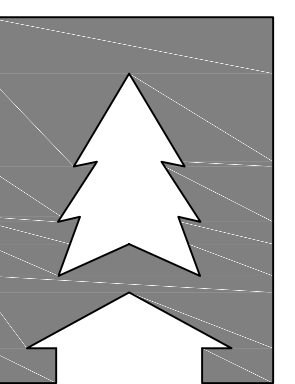
In basement or slab-on-grade buildings, the following components of a passive sub-slab depressurization system shall be installed during construction.

AF 103.6.1 Vent Pipe

A min. 3" dia. ABS, PVC or equivalent gas-tight pipe shall be embedded vertically into the sub-slab aggregate or other permeable material before the slab is cast. A "T" fitting or equivalent method shall be used to ensure that the pipe opening remains within the sub-slab permeable material. Alternatively, the 3" dia. pipe shall be inserted directly into an interior perimeter drain tile loop or through a sealed sump cover where the sump is exposed to the sub-slab aggregate or connected to it through a drainage system.

The pipe shall be extended up through the building floors, terminated at least 12" above the surface of the roof in a location at least 10' away from any window or other opening into the conditioned spaces of the building that is less than 2' below the exhaust point, and 10' away from any window or other opening in adjoining or adjacent buildings.

This plan is property of :



CEDARRIDGE
H O M E S

© 2018 Cedar Ridge Homes

(P) 503-666-4240
(F) 503-666-2408
www.cedarridgehomes.us

Designed by :

TYSON GREY

N