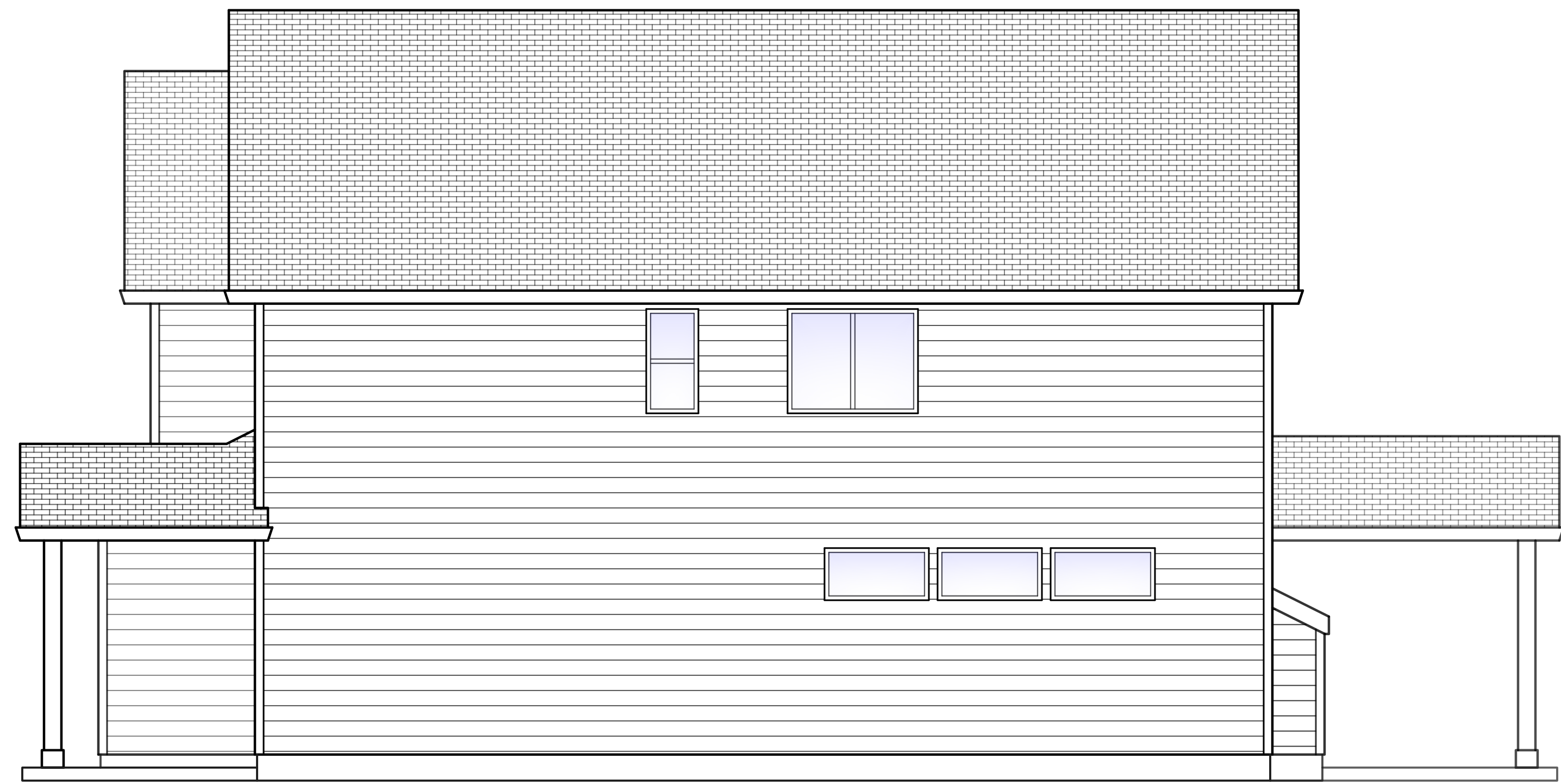


Plan Name	Aspen ADU
Date	9/25/2018
Location	Regan Hill Acres 3 Lot 68 Estacada, OR 97023



Front Elevation



Left Elevation



Back Elevation



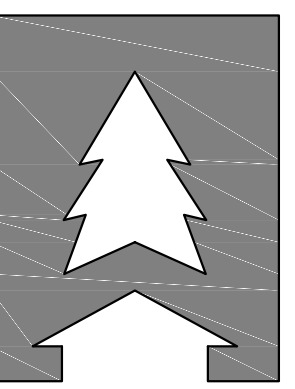
Right Elevation

Main Living: 1,850 Sqft // ADU: 830 Sqft

Elevations

Scale: 1/4" = 1'

This plan is property of:



CEDARRIDGE
H O M E S

© 2018 Cedar Ridge Homes

(P) 503-666-4240
(F) 503-666-2408
www.cedarridgehomes.us

Designed by:

TYSON GREY
tyson@cedarridgehomes.us

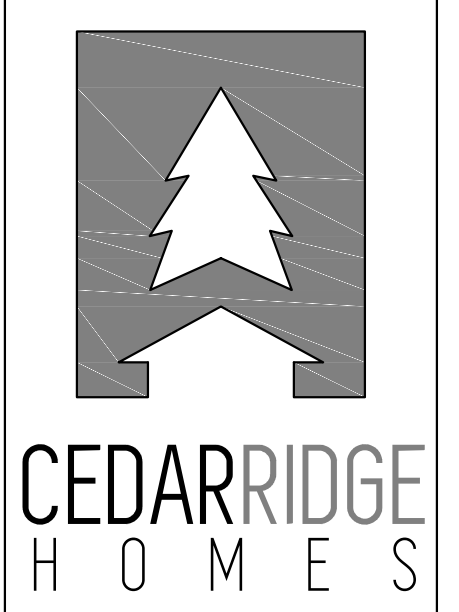
Plan Name	Aspen ADU
Date	9/25/2018
Location	Regan Hill Acres 3 Lot 68 Estacada, OR 97023

Main Living: 1,850 Sqft // ADU: 830 Sqft

Floor Plan

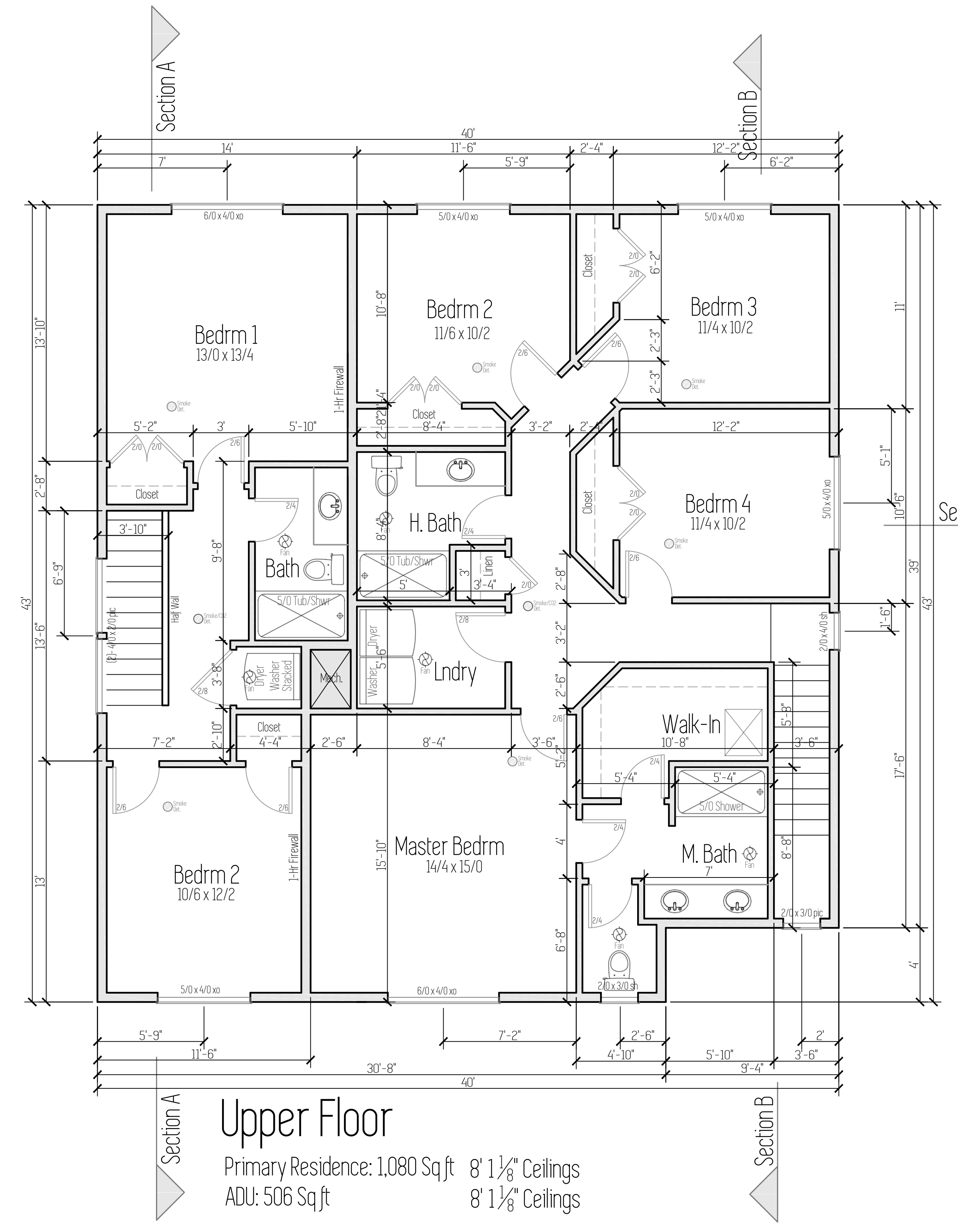
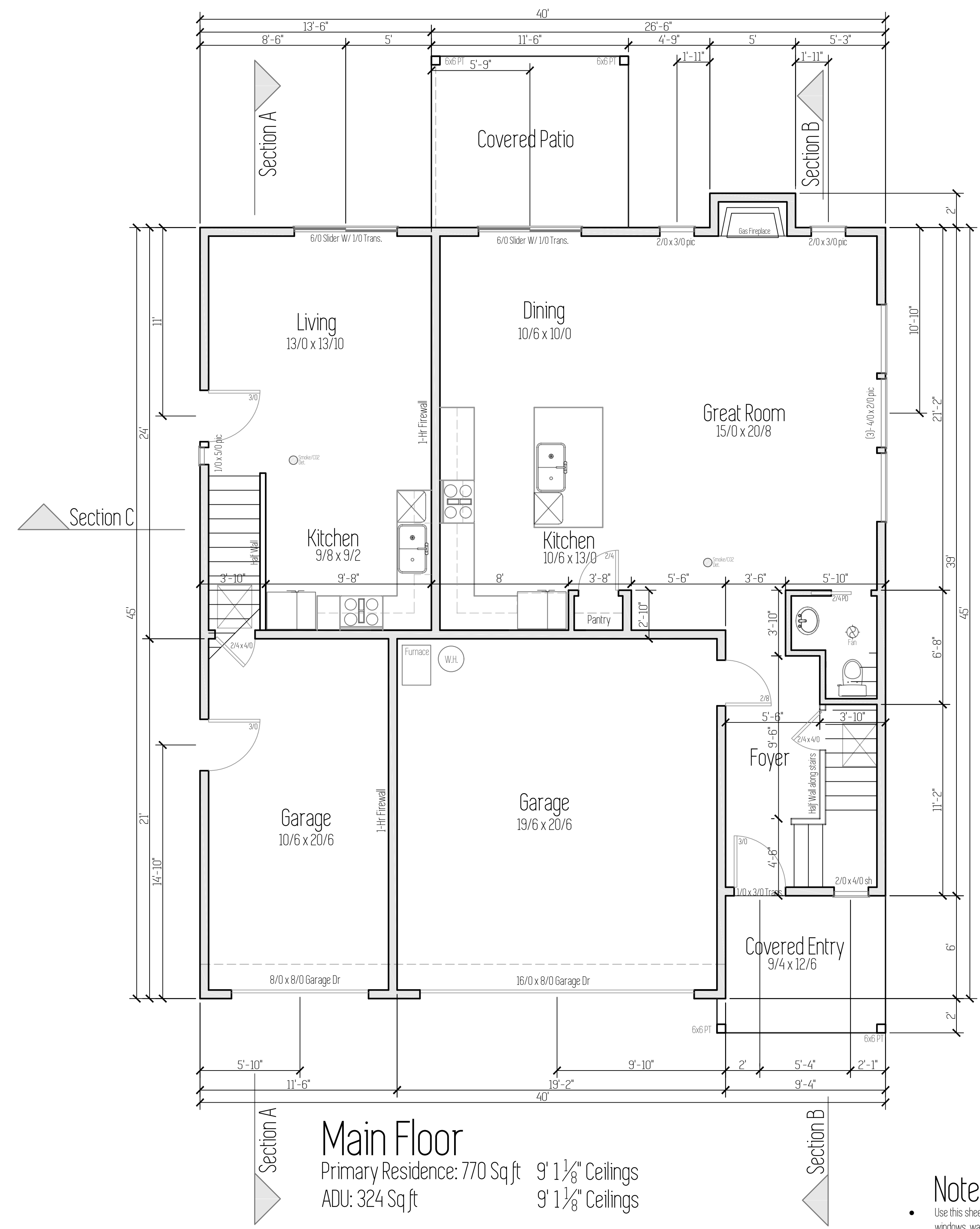
Scale: 1/4" = 1'

This plan is property of:



© 2018 Cedar Ridge Homes
 (P) 503-666-4240
 (F) 503-666-2408
 www.cedarridgehomes.us

Designed by:
TYSON GREY
 tyson@cedarridgehomes.us



- Notes**
- Use this sheet for accurate dimensions and locations of all doors, windows, walls, cabinets, etc.
 - Lower Floor Post & Beam Framing: Refer to Foundation Plan (sheet 3)
 - Upper Floor & Roof Framing: Refer to Framing Plan (sheet 4)
 - All electrical to meet or exceed current minimum code requirements and is to be determined by owner.
 - All fans shall have a mechanical ventilation system designed to exhaust a minimum of 80 cfm intermittent or 20 cfm continuous. Mechanical ventilation control systems shall be connected to a dehumidistat, timer or similar automatic control

Foundation Notes

- Concrete : Minimum 28 day concrete strength = 2500 psi.
- Grade beams, piers and spread footings shall be poured onto undisturbed, native soil which is free from any material that will adversely affect the soil bearing pressure.
- Footings are to be on undisturbed soil with an assumed 1500 PSF.
- All slabs to be supported with a min. of 4" of compacted crushed rock fill.
- Beam pockets in concrete walls to have a min. 1/2" air space on sides, and min. 3" of bearing for all beams and girders.
- Typical pier pad to be 18" dia. x 8" concrete footing with 4x4 DF#2 post.
- Typical crawl space beam to be 4x8 DF#2. Single gusset plate to be used on both sides of attachment to post.
- Cover entire crawl space with 6 mil black visqueen vapor barrier.
- Excavate a min. of 18" below bottom of all beams.
- Install 15" x 7" closable FND vents in FND walls. Min 1 sq ft vented area for every 150 sq ft of crawl space.
- 1/2" Anchor bolts install at 48" o/c, and within 12" of all corners and ends of plates.

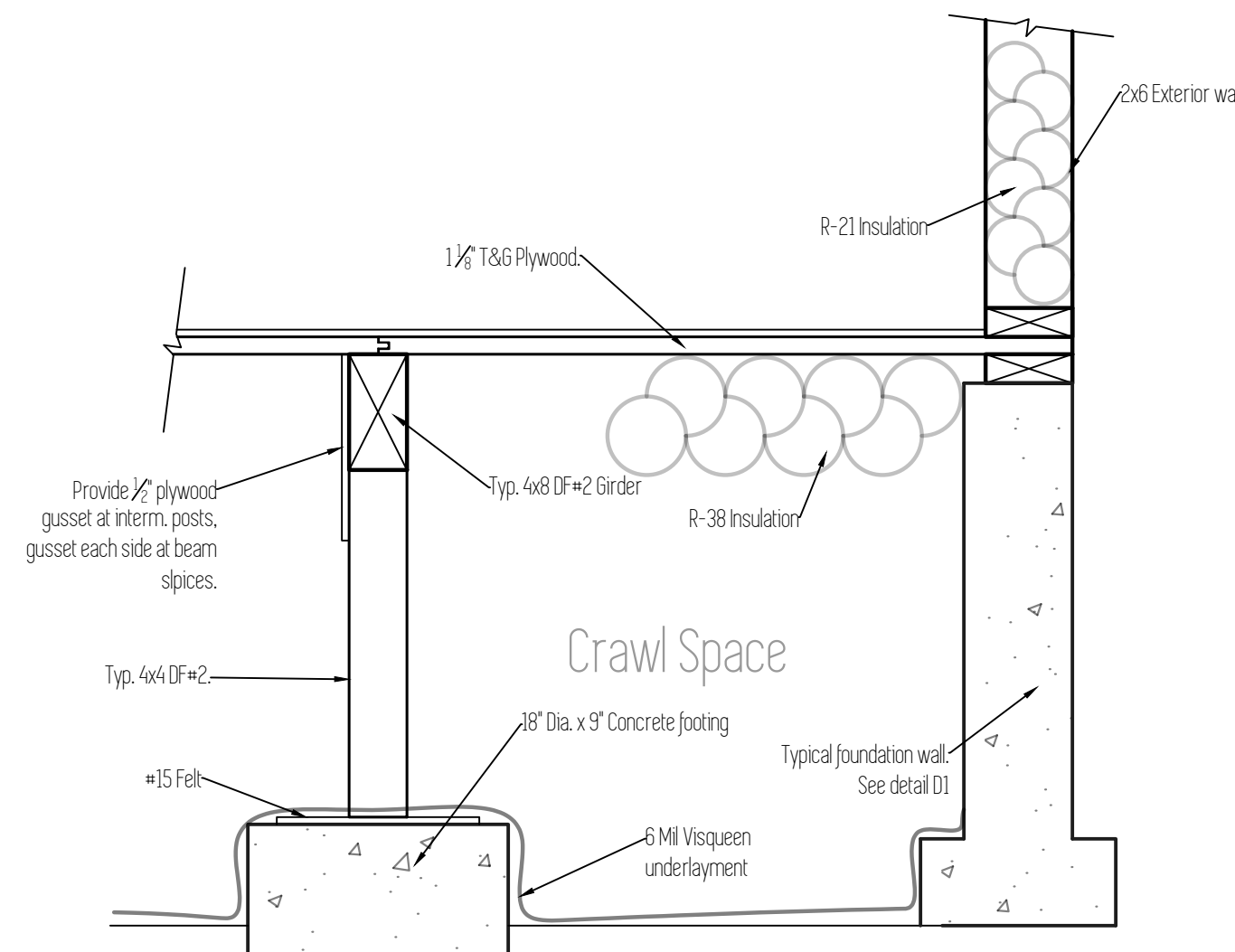
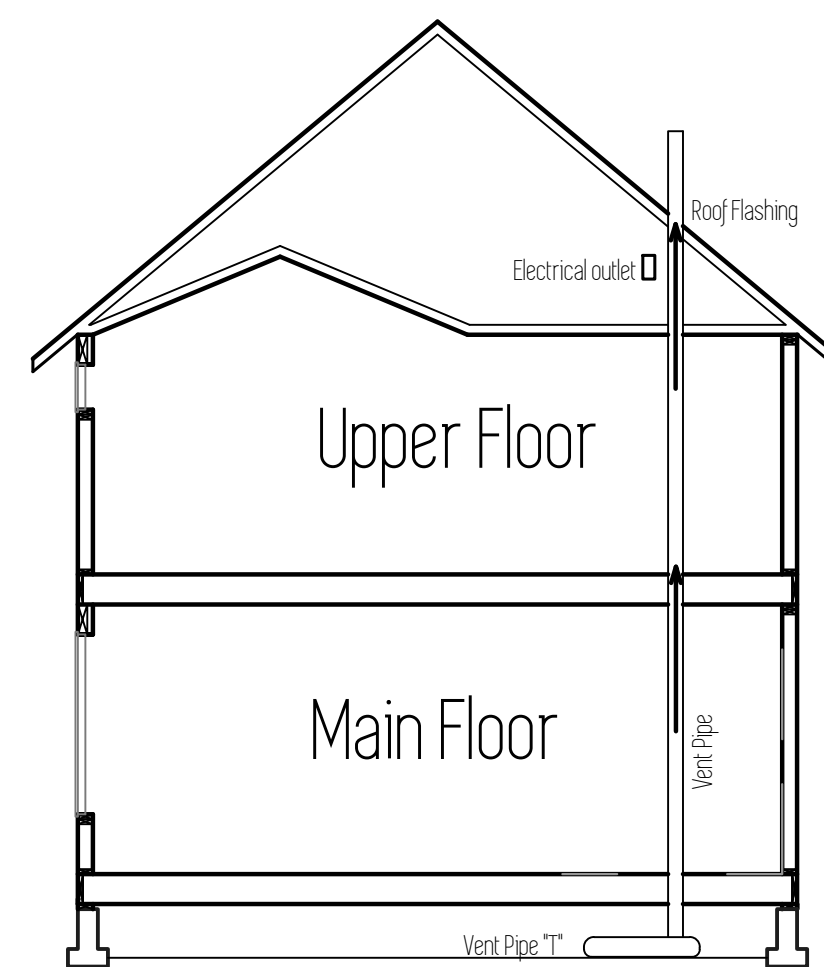
Footing Schedule	
F1	18" x 18" x 10" Concrete footing with (2) #4 bars each way.
F2	28" x 28" x 10" Concrete footing with (3) #4 bars each way.
F3	32" x 32" x 10" Concrete footing with (4) #4 bars each way.

Radon Passive System

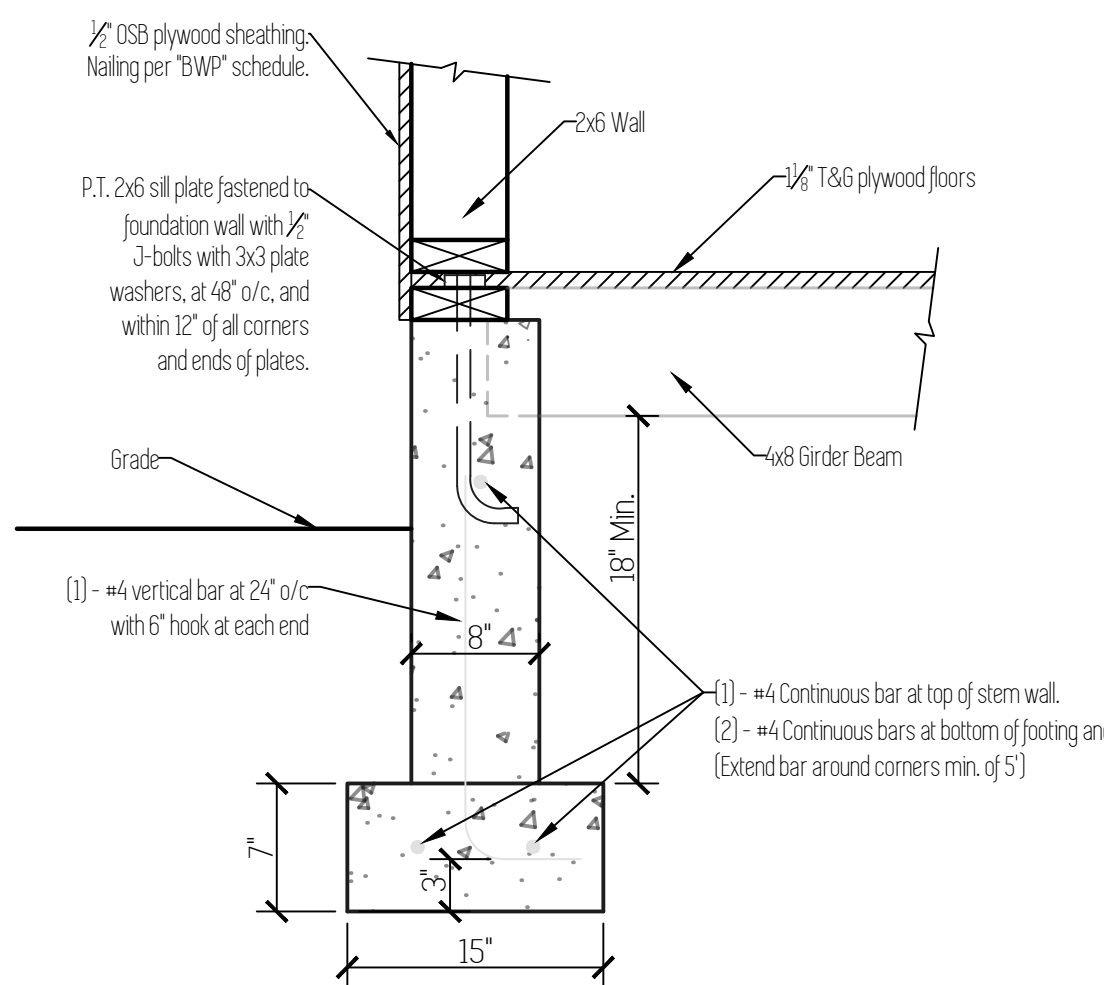
AF103.5.3 Vent Pipe

A plumbing tee or other approved connection shall be inserted horizontally beneath the sheathing and connected to a 3- or 4-inch-dia. fitting with a vertical vent pipe installed through the sheathing. The vent pipe shall be extended up through the building floors, terminate at least 12" above roof in a location at least 10' away from any window or other opening into the conditioned spaces of the building that is less than 2' below the exhaust point, and 10' from any window or other opening adjoining or adjacent buildings.

*Install electrical outlet in attic at vent pipe for future fan.

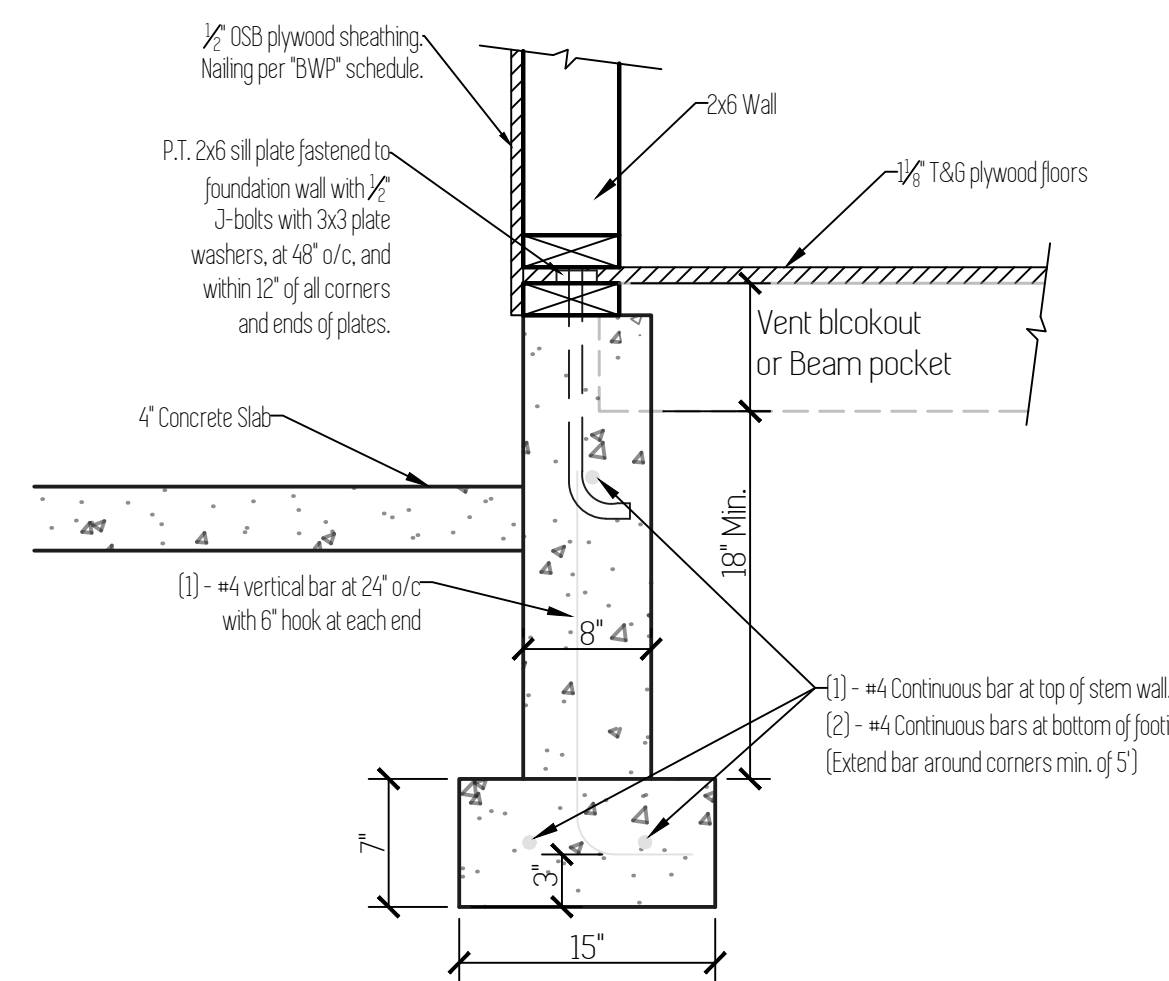


D3 Post & Beam Scale: 1"=1'



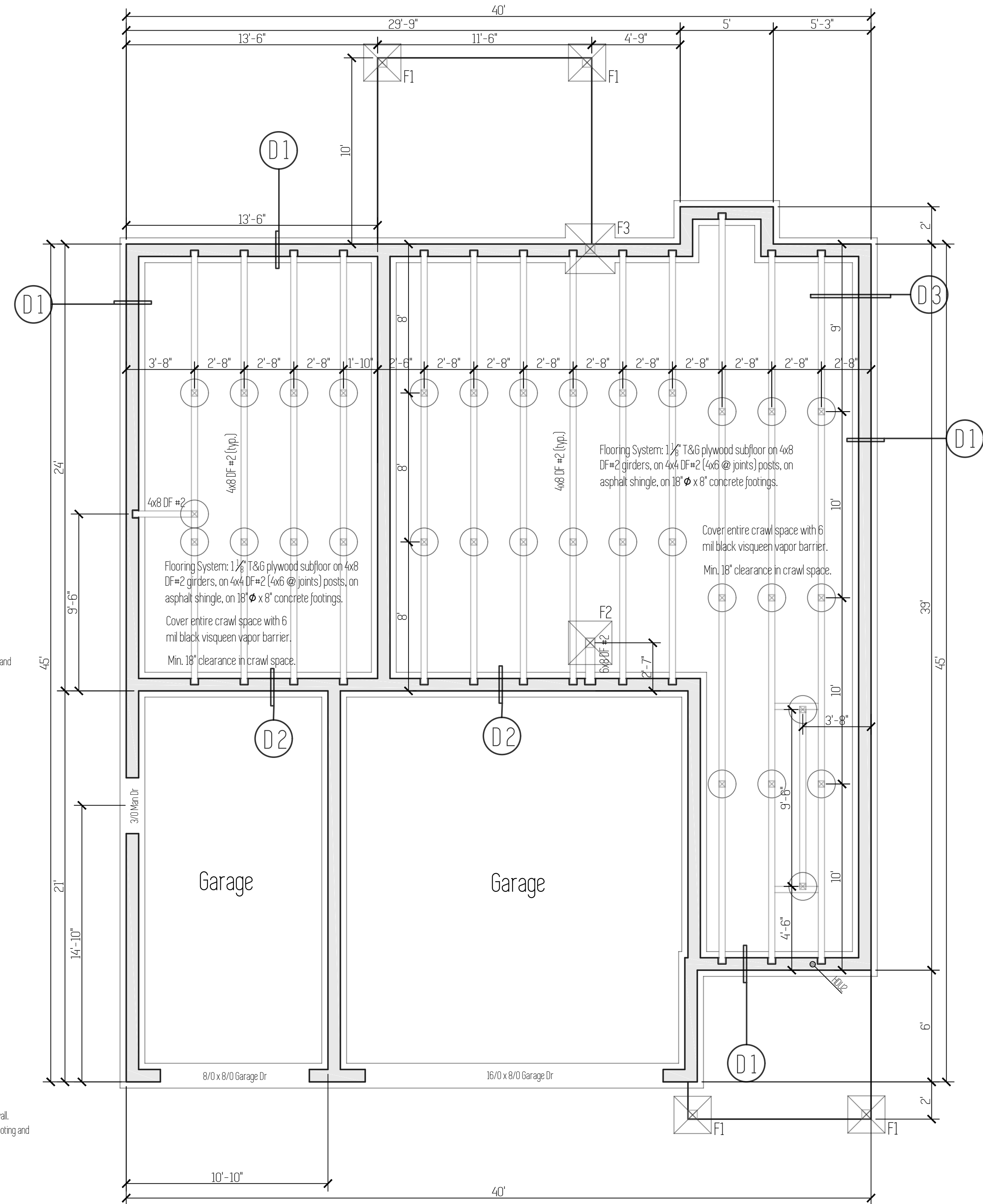
D1 Footing Section Scale: 1"=1'

Note:
1. Footing to be place on undisturbed, native soil.



D2 Footing Section Scale: 1"=1'

Note:
1. Footing to be place on undisturbed, native soil.



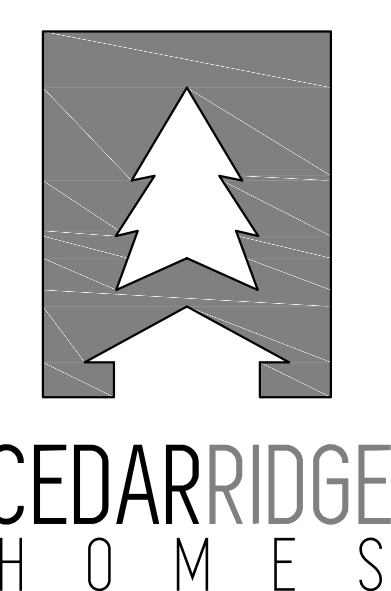
Plan Name	Aspen ADU
Date	9/25/2018
Location	Regan Hill Acres 3 Lot 68 Estacada, OR 97023

Foundation Plan

Main Living: 1,850 Sqft // ADU: 830 Sqft

Scale: 1/4" = 1'




This plan is property of:

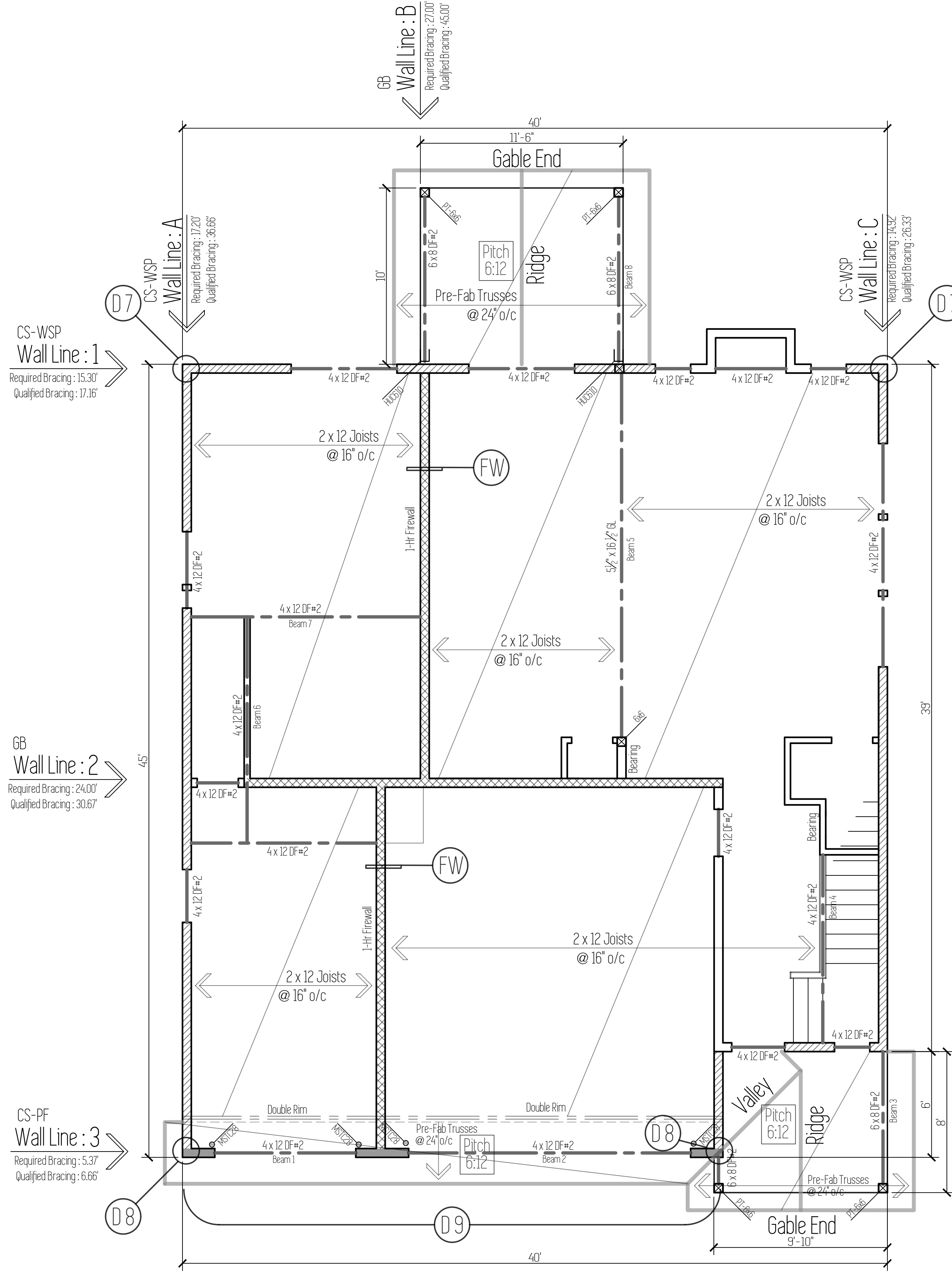


© 2018 Cedar Ridge Homes
(P) 503-666-4240
(F) 503-666-2408
www.cedarridgehomes.us

Designed by:
TYSON GREY
tyson@cedarridgehomes.us

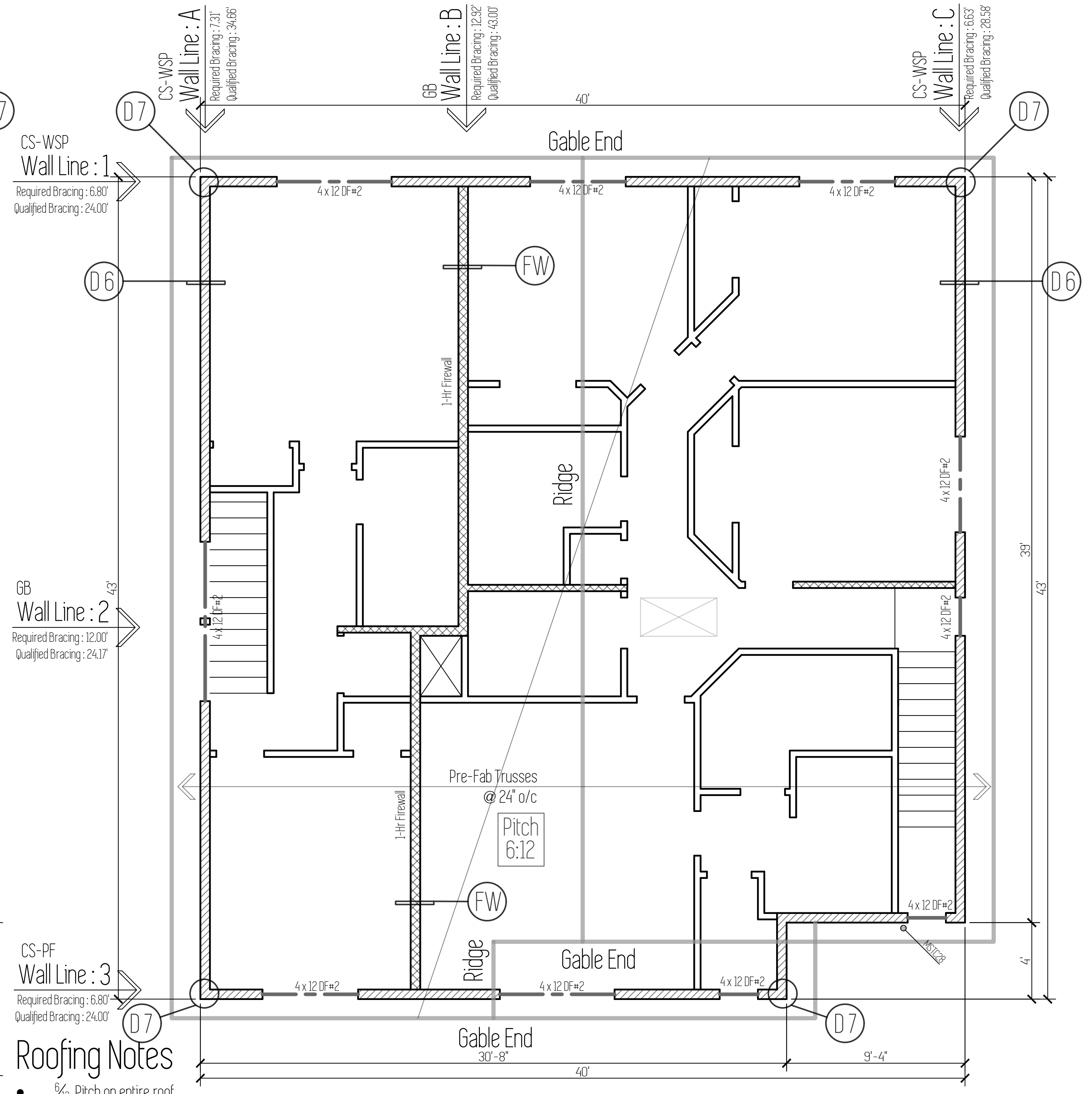
3

Bracing Method	Minimum Thickness	Details	Connection Criteria	
			Fasteners	Spacing
 CS-WSP Continuously Sheathed Wood Structural Panel	3/8"	See APA Wall Bracing Calculations for individual wall details.	Exterior sheathing per Table R602.3(3)	6" Edges, 12" Field
 CS-PF Continuously Sheathed Portal Frame	7/16"	See APA Wall Bracing Calculations, as well as details below.	See Section R602.10.6.4	See Section R602.10.6.4
 GB Gypsum Board Double-Sided	1/2"	See APA Wall Bracing Calculations for individual wall details.	Nails of screws per Table R702.3.5 for interior locations.	For all braced wall panel locations: 7" edges, 7" field.



Roofing Notes

- 5/12 Pitch on entire roof.
- 18" overhang on all eaves.
- 12" overhang on all gable ends.
- Install roof vents along ridge @ 4' o.c.



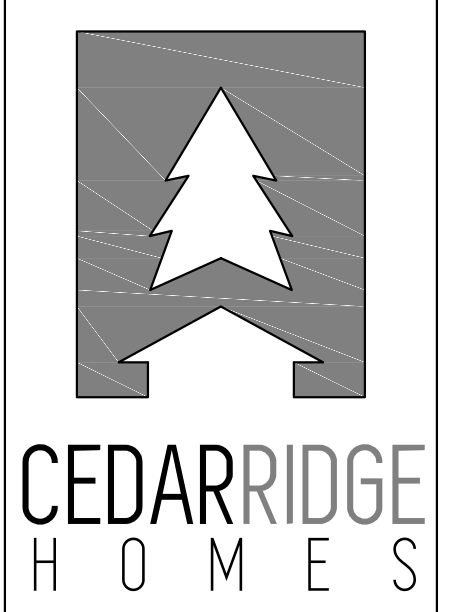
Plan Name
Aspen ADU
Date
9/25/2018
Location
Regan Hill Acres 3
Lot 68
Estacada, OR 97023

Main Living: 1,850 Sqft // ADU: 830 Sqft

Framing Plan

Scale : 1/4" = 1'

This plan is property of:



© 2018 Cedar Ridge Homes
(P) 503-666-4240
(F) 503-666-2408
www.cedarridgehomes.us

Designed by:
TYSON GREY
tyson@cedarridgehomes.us

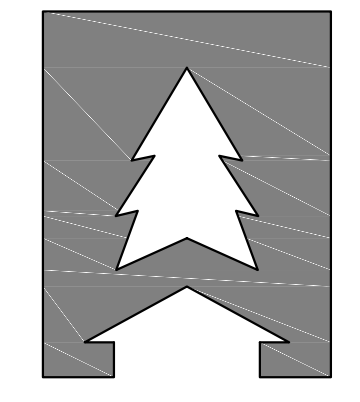
Plan Name	Aspen ADU
Date	9/25/2018
Location	Regan Hill Acres 3 Lot 68 Estacada, OR 97023

Main Living: 1,850 SqFt // ADU: 830 SqFt

Sections

Scale: 1/4" = 1'

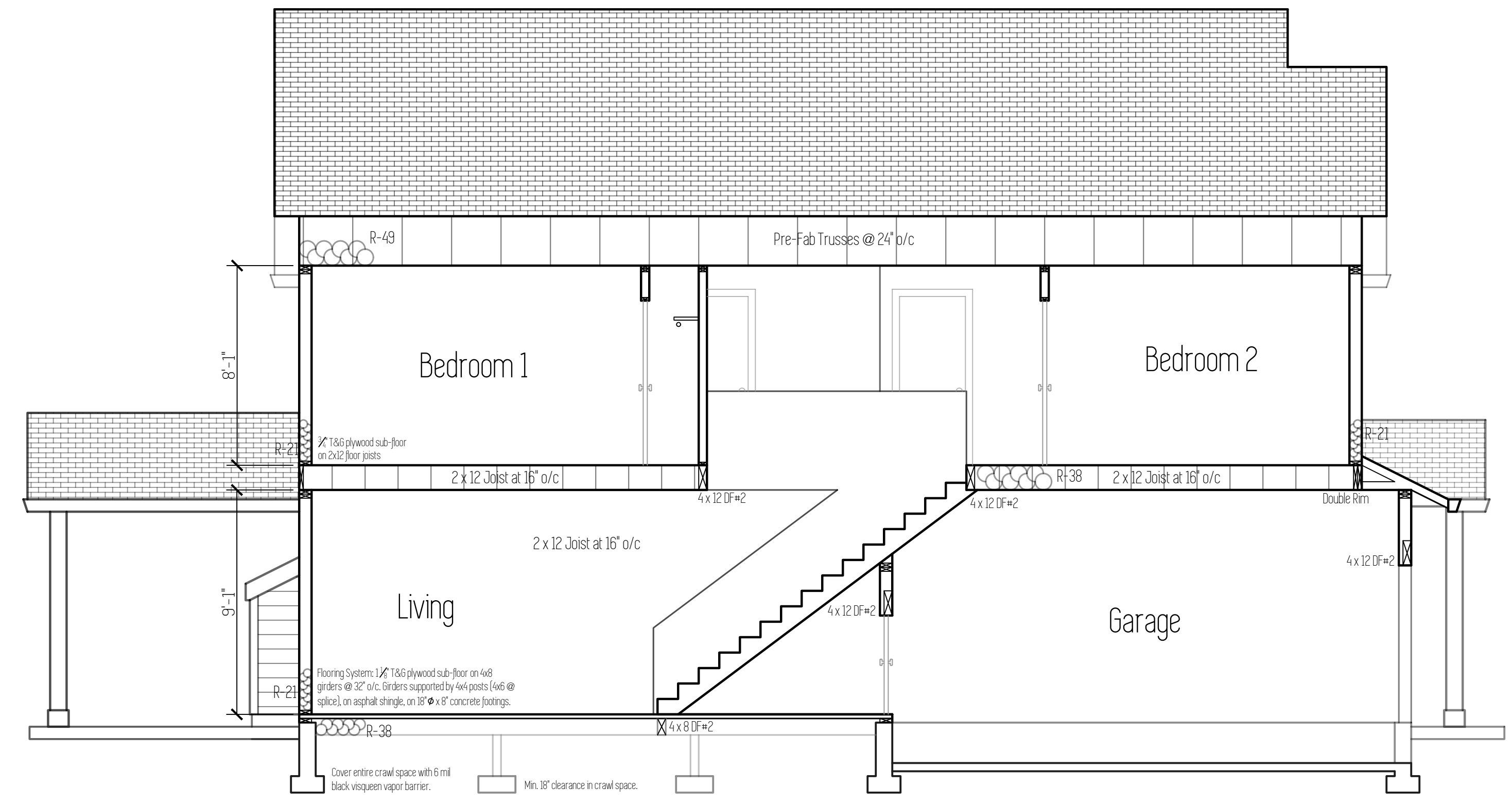
This plan is property of:



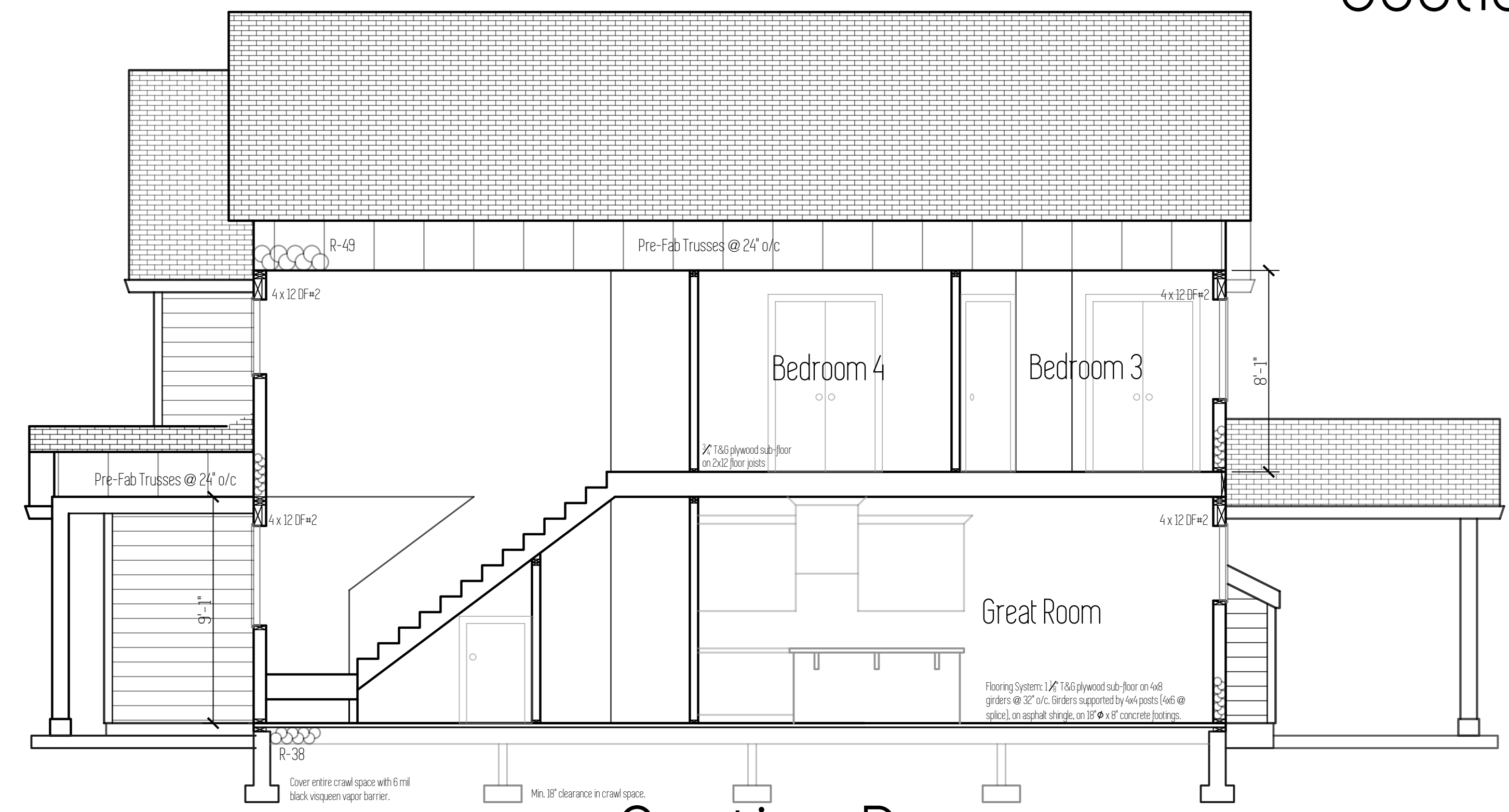
CEDARRIDGE
H O M E S

© 2018 Cedar Ridge Homes
(P) 503-666-4240
(F) 503-666-2408
www.cedarridgehomes.us

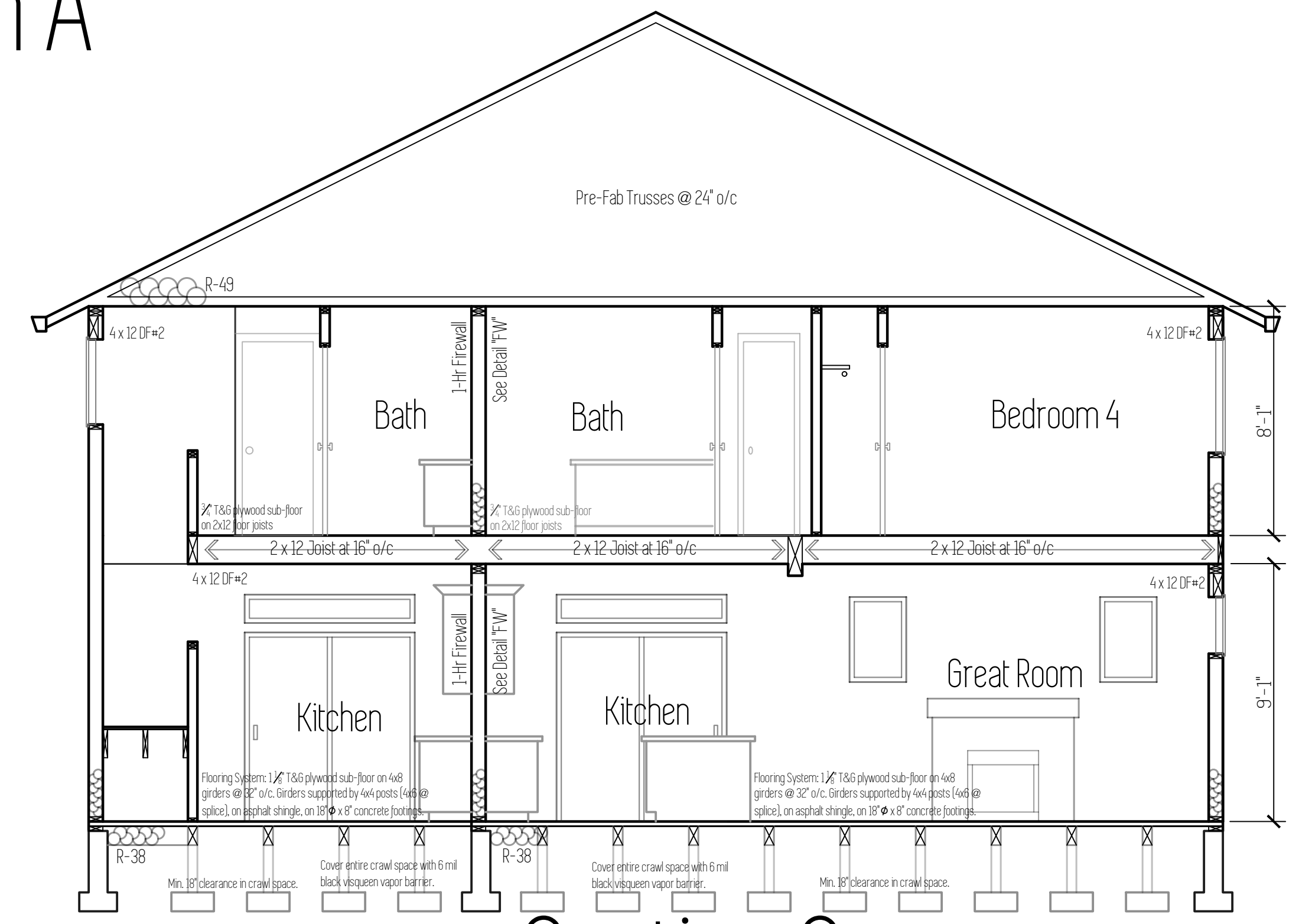
Designed by:
TYSON GREY
tyson@cedarridgehomes.us



Section A



Section B



Section C

General Notes

- All work is to comply with the 2014 Oregon Residential Specialty Code (ORSC).
- The contractor is responsible to check the plans omissions prior to the start of construction.
- Structural specifications and drawings for this work have been prepared in accordance with generally accepted engineering practices to meet minimum requirements of the 2014 ORSC.
- Any written dimensions have precedence over scaled dimensions.

Foundation Notes

- Footings are to be placed on undisturbed, native soil with an assumed 1500 PSF.
- All slabs to be supported with a minimum of 4" compacted, crushed rock fill.
- Beam pockets in concrete walls to a minimum 1/2" air space on sides, and minimum 3" of bearing for all beams and girders.
- Cover entire crawl space with 6 mil black visqueen vapor barrier.
- Excavate minimum of 18" below bottom of all beams.
- Install 15x7 closable foundation vents in foundation walls. Minimum of 1 SqFt vented area for every 150 SqFt of crawl space.
- Foundation stem walls shall be provided with a minimum of one #4 bar within 12" of the top of the wall, and one #4 bar a minimum of 3" clearance from the bottom of the footing.
- A grounding electrode system shall be installed in foundations: One #4 horizontal bar not less than 3' from bottom of footing and not less than 20' long, one #4 vertical bar stubbed up at least 12" above the floor plate with a minimum 12" splice to the horizontal bar.
- Foundation anchor bolts shall be not less than 1/2" diameter bolts embedded at least 7" into concrete, or masonry, spaced 48" o.c. with at least two bolts per plate and within 12" of ends and corners.
- Foundations wall shall extend at least 6" above grade.
- Drains shall be provided around all foundations enclosing habitable or usable space below grade.
- Waterproofing is required on the outside surface of below-grade foundation walls enclosing interior space.
- An 18"x 24" (minimum) access opening is required to all under-floor spaces.

Framing Notes

- All stud spacing to be 16" o/c.
- Exterior wall: 2x6 DF#2.
- Interior wall: 2x4 DF#2.
- Walls shall be capped with a double top plate to provide overlapping at corners and intersections with bearing partitions.
- Anchor bolts embedded in foundation wall and fastened to sill plate 48" o/c.
- Sheathing: Wall sheathing to be 5/8" APA rated CDX or OSB. All panel edges shall be backed by wall stud. Nail panels with 8d nails at 6" o/c along edges and 12" o/c in field. [Same applies for roof sheathing.]
- Fireblocking shall be installed in concealed spaces of wood construction: in walls at ceiling and floor levels, and not more than 10' horizontally; and intersections between vertical and horizontal spaces such as dropped ceilings and soffits; between stair stringers at top and bottom of stair runs.
- Fireblocking shall consist of 2" nominal lumber, 1/2" gypsum board, mineral wool or glass fiber insulation securely retained, or other approved material.
- Draftstopping shall be in concealed floor-ceiling construction parallel to the framing members so that the area does not exceed 1,000 SqFt.
- Fasteners and connectors in contact with P.T. wood shall be hot dipped galvanized steel or equivalent.
- Notches in sawn lumber joists, rafters, and beams shall not exceed 1/6 of the member's depth, not longer than 1/2 of the member's depth, and not located in the middle 1/2 of the member's span.
- Notches at ends shall not exceed 1/6 of the member's depth.
- Tension side of members greater than 4" nominal thickness shall not be notched except at the ends.
- Hole diameters shall not exceed 1/2 of the member's depth, and not be closer than 2" to the top or bottom, or to any other hole or notch.
- Cuts, notches or holes are not permitted in engineered wood products, except where permitted by the product manufacturer or where designed by a registered design professional.
- Top plates of bearing walls notched or drilled more than 50% of their width shall have a minimum 16 gauge, 1 1/2" wide galvanized strap installed at the opening.
- Straps shall extend 6" minimum past the opening with (8)-10d nails on each side.
- Engineered truss drawings shall be submitted for review and approval prior to erection.
- Trusses shall be braced per manufacturer.
- Tie-downs shall be installed to provide a continuous load path from trusses to foundation.

Energy Efficiency

TABLE N1101.1(2) ADDITIONAL MEASURES	
1	High efficiency walls Exterior walls—U-0.045/R-21 cavity insulation + R-5 continuous
2	Upgraded features Exterior walls—U-0.057/R-23 intermediate or R-21 advanced, Framed floors—U-0.026/R-38, and Windows—U-0.28 (average UA)
3	Upgraded features Exterior walls—U-0.055/R-23 intermediate or R-21 advanced, Flat ceiling—U-0.017/R-60, and Framed floors—U-0.026/R-38
4	Super Insulated Windows and Attic OR Framed Floors Windows—U-0.22 (Triple Pane Low-e), and Flat ceiling—U-0.017/R-60 or Framed floors—U-0.026/R-38
5	Air sealing home and ducts Mandatory air sealing of all wall coverings at top plate and air sealing checklist, and Mechanical whole-building ventilation system with rates meeting M1503 or ASHRAE 62.2, and All ducts and air handlers contained within building envelope ^a or All ducts sealed with mastic ^b
6	High efficiency thermal envelope UA^a Proposed UA is 8% lower than the code UA
A	High efficiency HVAC system^a Gas-fired furnace or boiler AFUE 94%, or Air source heat pump HSPF 9.5/3.0 SEER cooling, or Ground source heat pump COP 3.5 or Energy Star rated
B	Ducted HVAC systems within conditioned space All ducts and air handlers contained within building envelope ^a <i>Constr for conditioned with Measure 5</i>
C	Ductless heat pump Ductless heat pump HSPF 10.0 in primary zone of dwelling
D	High efficiency water heater^a Natural gas/propane water heater with UEF 0.85 OR Electric heat pump water heater Tier 1 Northern Climate Specification Product

For SE: 1 square foot = 0.093 m², 1 watt per square foot = 10.8 W/m².

a. Appliances located within the building thermal envelope shall have sealed combustion air installed. Combustion air shall be ducted directly from the outdoors.

b. All duct joints and seams sealed with listed mastic; tape is only allowed at appliance or equipment connections (for service and replacement). Meet sealing criteria of Performance Tested Comfort Systems program administered by the Bonneville Power Administration (BPA).

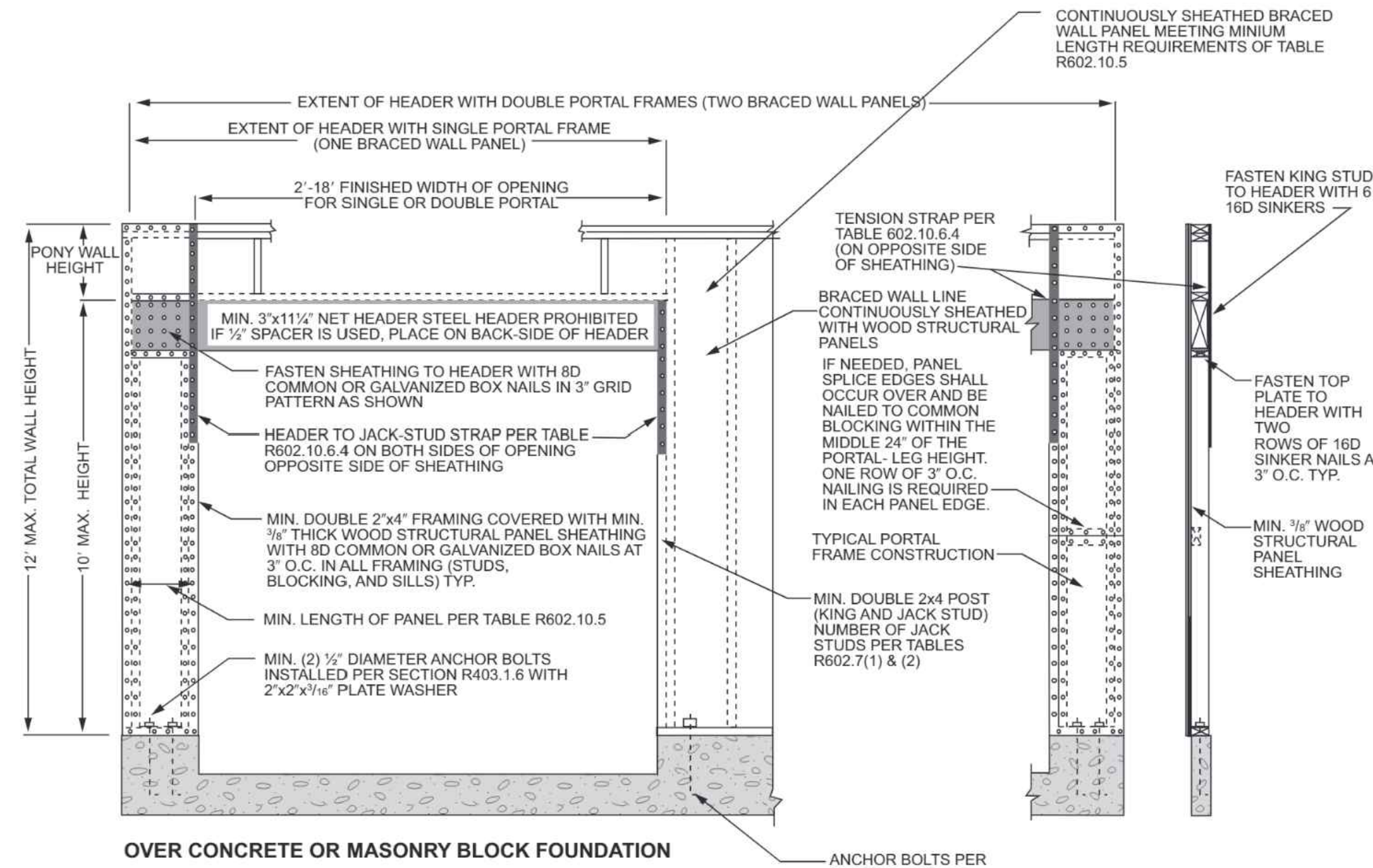
c. Residential water heaters less than 55 gallon storage volume.

d. A total of 5 percent of an HVAC system's ductwork shall be permitted to be located outside of the conditioned space. Ducts located outside the conditioned space shall have insulation installed as required in this code.

e. The maximum vaulted ceiling surface area shall not be greater than 50 percent of the total heated space floor area unless vaulted area has a U-factor no greater than U-0.026.

f. Continuous air barrier. Additional requirement for sealing of all interior vertical wall covering to top plate framing. Sealing with foam gasket, caulk or other approved sealant listed for sealing wall covering material to structural material (example: gypsum board to wood stud framing).

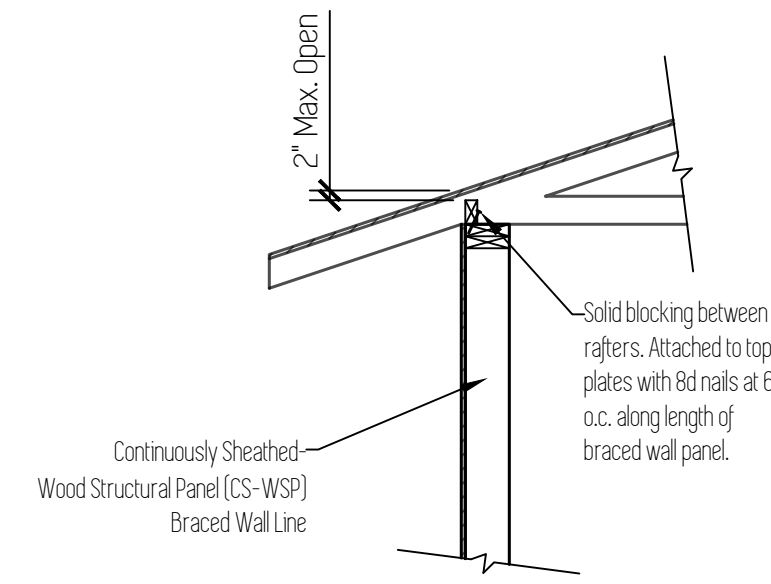
g. Table N1104.1(1) Standard base case design. Code UA shall be at least 8 percent less than the Proposed UA. Buildings with fenestration less than 15 percent of the total vertical wall area may adjust the Code UA to have 15 percent of the wall area as fenestration.



D9 R602.10.6.4 Continuously Sheathed Portal Frame

Table R602.3(3)

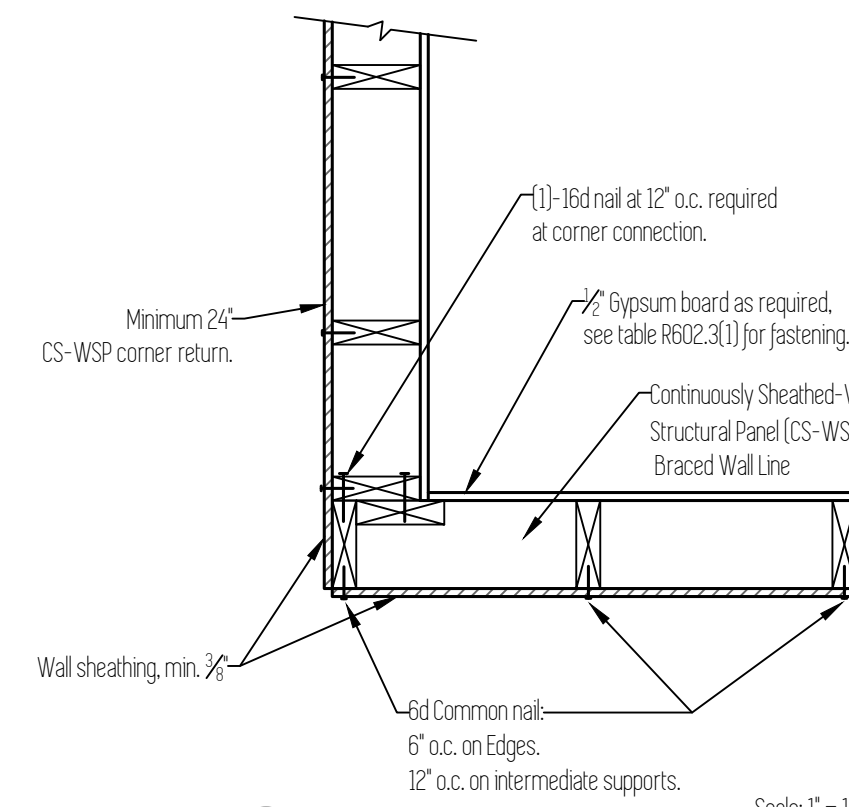
TABLE R602.3(3) REQUIREMENTS FOR WOOD STRUCTURAL PANEL WALL SHEATHING USED TO RESIST WIND PRESSURES ^{a, b, c}									
MINIMUM NAIL Size	PENETRATION (inches)	MINIMUM WOOD STRUCTURAL PANEL SPAN RATING	MINIMUM NOMINAL PANEL THICKNESS (inches)	MAXIMUM WALL STUD SPACING (inches)	PANEL NAIL SPACING		ULTIMATE DESIGN WIND SPEED V _{ult} (mph)		
					Edges (inches o.c.)	Field (inches o.c.)	B	C	D
6d Common (2.0" x 0.113")	1.5	24/0	5/8	16	6	12	140	115	110
8d Common (2.5" x 0.131")	1.75	24/16	7/16	16	6	12	170	140	135
				24	6	12	140	115	110



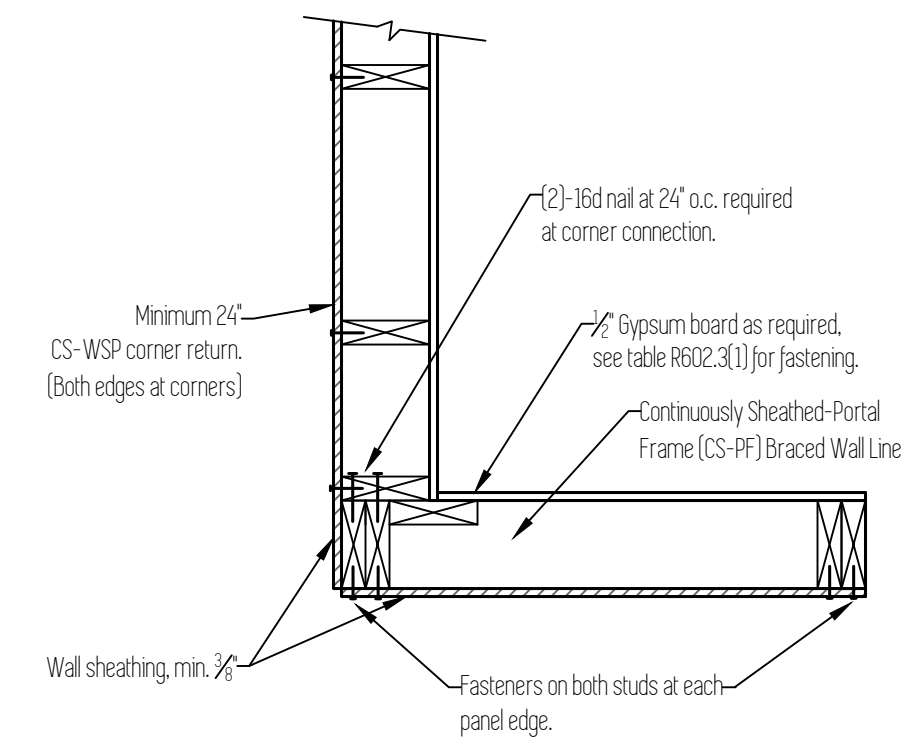
D6 Figure R602.10.8.2(1)
Braced Wall Panel connection to perpendicular rafters. Scale: 1/2"=1'

Table R702.3.5

TABLE R702.3.5 MINIMUM THICKNESS AND APPLICATION OF GYPSUM BOARD AND GYPSUM PANEL PRODUCTS						
THICKNESS OF GYPSUM BOARD OR GYPSUM PANEL PRODUCTS (inches)	ORIENTATION OF GYPSUM BOARD OR GYPSUM PANEL PRODUCTS TO FRAMING	MAXIMUM SPACING OF FRAMING MEMBERS (inches o.c.)	MAXIMUM SPACING OF FASTENERS (inches)	SIZE OF NAILS FOR APPLICATION TO WOOD FRAMING ^a		
Application without adhesive						
1/2"	Ceiling	Perpendicular	16	7	12	13 gage, 1 1/2" long, 1/4" head, 0.091" diameter; 1 1/2" long, annular-ripes, 6d coated nail; 0.091" diameter, 1 1/2" long, 1/4" head.
	Wall	Either direction	16	8	16	13 gage, 1 1/2" long, 1/4" head, 0.091" diameter; 1 1/2" long, annular-ripes, 6d coated nail; 0.091" diameter, 1 1/2" long, 1/4" head or gypsum board nail, 0.091" diameter, 1 1/2" long, 1/4" head or gypsum board nail, 0.091" diameter, 1 1/2" long, 1/4" head.
1/2"	Ceiling	Either direction	16	7	12	13 gage, 1 1/2" long, 1/4" head, 0.091" diameter; 1 1/2" long, annular-ripes, 6d coated nail; 0.091" diameter, 1 1/2" long, 1/4" head or gypsum board nail, 0.091" diameter, 1 1/2" long, 1/4" head.
	Wall	Either direction	24	8	12	13 gage, 1 1/2" long, 1/4" head, 0.091" diameter; 1 1/2" long, annular-ripes, 6d coated nail; 0.091" diameter, 1 1/2" long, 1/4" head or gypsum board nail, 0.091" diameter, 1 1/2" long, 1/4" head.
1/2"	Wall	Either direction	16	8	16	13 gage, 1 1/2" long, 1/4" head, 0.091" diameter; 1 1/2" long, annular-ripes, 6d coated nail; 0.091" diameter, 1 1/2" long, 1/4" head or gypsum board nail, 0.091" diameter, 1 1/2" long, 1/4" head.
	Ceiling	Either direction	16	7	12	13 gage, 1 1/2" long, 1/4" head, 0.091" diameter; 1 1/2" long, annular-ripes, 6d coated nail; 0.091" diameter, 1 1/2" long, 1/4" head or gypsum board nail, 0.091" diameter, 1 1/2" long, 1/4" head.
1/2"	Ceiling	Perpendicular	24	7	12	13 gage, 1 1/2" long, 1/4" head, 0.091" diameter; 1 1/2" long, annular-ripes, 6d coated nail; 0.091" diameter, 1 1/2" long, 1/4" head or gypsum board nail, 0.091" diameter, 1 1/2" long, 1/4" head.
	Wall	Perpendicular	24	8	16	13 gage, 1 1/2" long, 1/4" head, 0.091" diameter; 1 1/2" long, annular-ripes, 6d coated nail; 0.091" diameter, 1 1/2" long, 1/4" head or gypsum board nail, 0.091" diameter, 1 1/2" long, 1/4" head.
1/4"	Type X-8 ^b garage ceiling beneath habitable rooms	Perpendicular	24	8	16	1 1/2" long 6d coated nails or equivalent drywall screws. Screws shall comply with Section R702.3.5.1 ^c



D7 Outside Corner Connection
Scale: 1"=1'



D8 Garage Corner Connection
Scale: 1"=1'

78

GA-600-2012 FIRE RESISTANCE DESIGN MANUAL

WALLS AND INTERIOR PARTITIONS, WOOD FRAMED			
GA FILE NO. WP 3343	PROPRIETARY*	1 HOUR FIRE	45 to 49 STC SOUND
GYPSUM PANEL PRODUCT, WOOD STUDS			
One layer 5/8" proprietary gypsum panel product applied parallel to each side of 2 x 4 wood studs 16" o.c. with 6d coated nails, 1 1/2" long, 0.0915" shank, 1/4" heads, 7" o.c. Joints staggered 16" on opposite sides. Sound tested with 3 1/2" glass fiber insulation friction fit in stud space. (LOAD-BEARING)			
PROPRIETARY GYPSUM PANEL PRODUCT			
Temple-Inland	5/8" Type X ComfortGuard Sound Deadening Gypsum Board	Thickness: 47/8"	UL R6937, 08NK14525, 11-10-08, UL Design U309
		Approx. Weight: 7 psf	UL 08-0905, 9-3-08
		Fire Test:	
		Sound Test:	

FW 1-Hr Fire Wall Detail: Interior partition, load bearing.

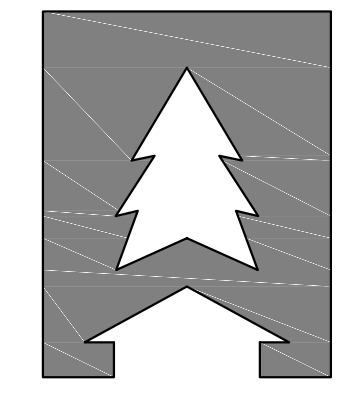
Plan Name
Aspen ADU
Date
9/25/2018
Location
Regan Hill Acres 3
Lot 68
Estacada, OR 97023

Main Living: 1,850 Sqft // ADU: 830 Sqft

Notes/Details

Scale: Noted

This plan is property of:



CEDARRIDGE
HOMES

© 2018 Cedar Ridge Homes

(P) 503-666-4240
(F) 503-666-2408
www.cedarridgehomes.us

Designed by:

TYSON GREY
tyson@cedarridgehomes.us

6